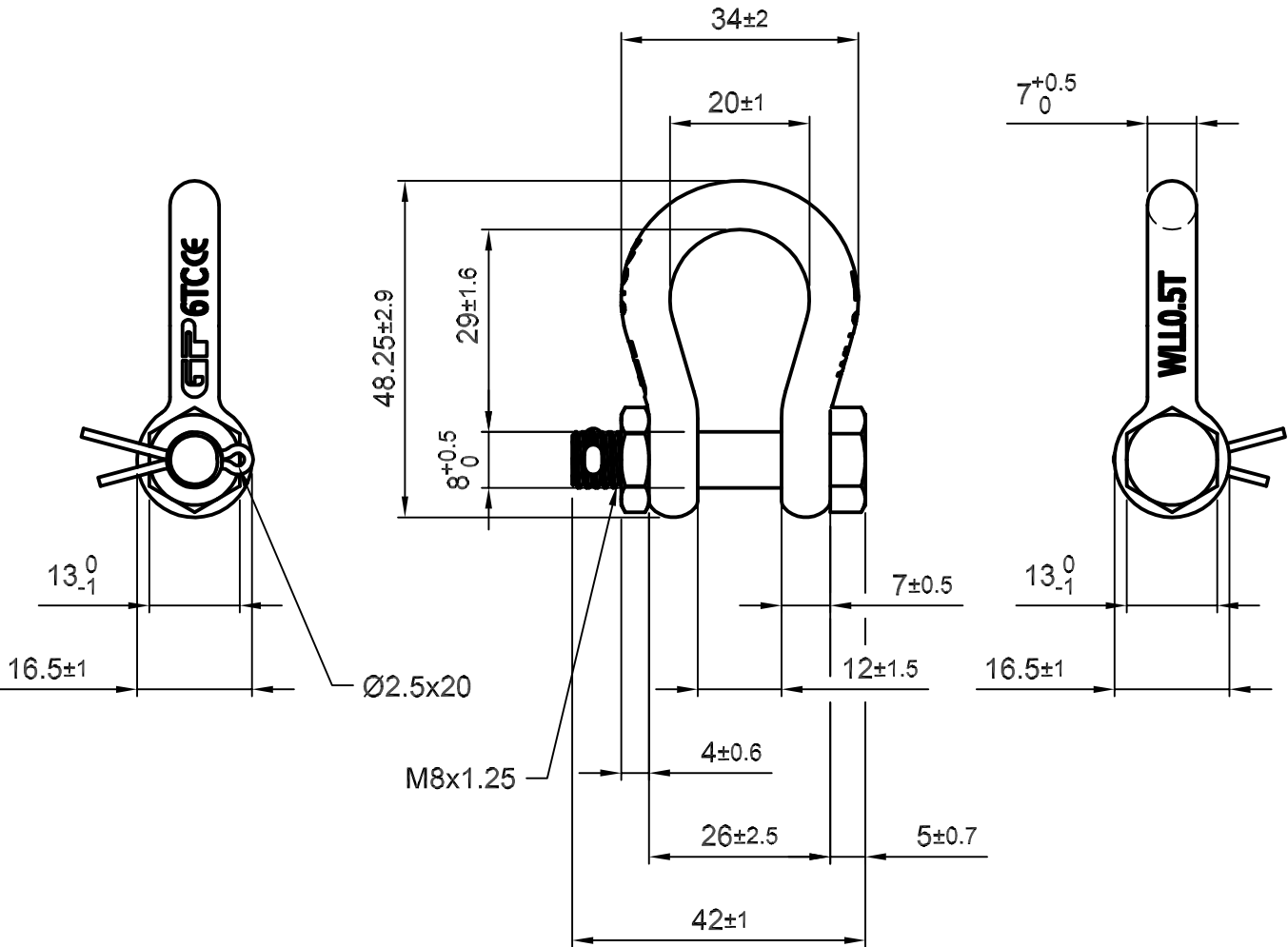


Green Pin® Standard Shackles

Group : G-4163

Part : GPGHMB06

WLL : 0.5 t



We reserve the right to make amendments on specifications in this drawing without prior notification.

Rev.	Description	Date	Drawn
0	First Issue	31-07-09	H.T.

Copyright by Van Beest B.V. moreover this document is the property of Van Beest B.V. This document or any part of it may neither be made known, copied or multiplied, nor used for any purpose other than that for which it is specifically furnished, without the prior written consent of Van Beest B.V.

Title **Green Pin® Standard Shackles
bow shackles with safety bolt**

Remark
G-4163
GPGHMB06



P.O. Box 57, 3360 AB Sliedrecht
(The Netherlands)
Industrieweg 6, 3381 HJ Sliedrecht
Tel. 0184-413300 Fax. 0184-413101

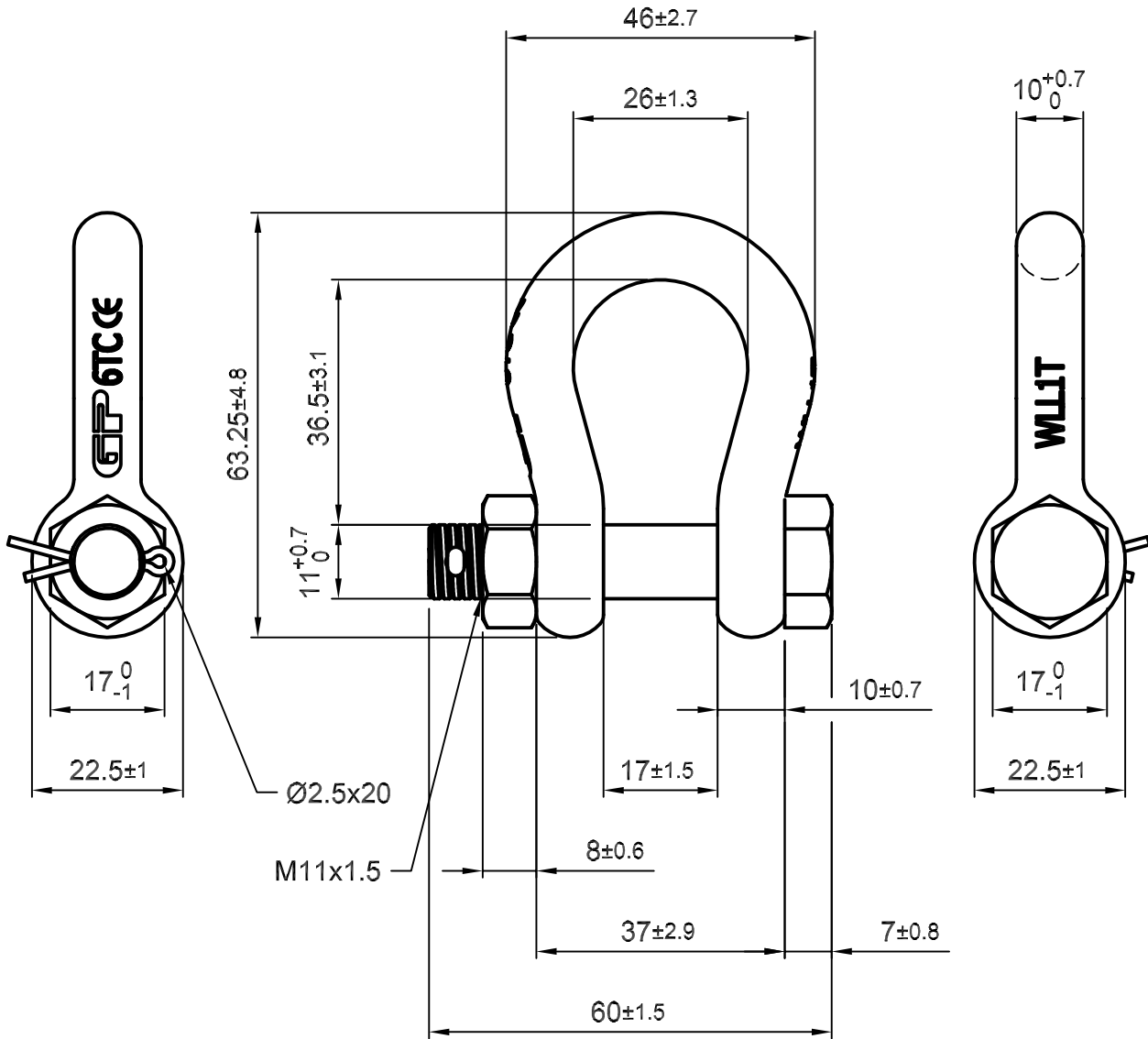
Format	A4		Rev.
Scale	1:1		
Drawing number	5000	0	

Green Pin® Standard Shackles

Group : G-4163

Part : GPGHMB10

WLL : 1 t



We reserve the right to make amendments on specifications in this drawing without prior notification.



P.O. Box 57, 3360 AB Sliedrecht
(The Netherlands)
Industrieweg 6, 3361 HJ Sliedrecht
Tel. 0184-413300 Fax. 0184-413101

Rev.	Description	Date	Drawn
0	First Issue	31-07-09	H.T.

Copyright by Van Beest B.V. moreover this document is the property of Van Beest B.V. This document or any part of it may neither be made known, copied or multiplied, nor used for any purpose other than that for which it is specifically furnished, without the prior written consent of Van Beest B.V.

Title **Green Pin® Standard Shackles
bow shackles with safety bolt**

Remark
G-4163
GPGHMB10

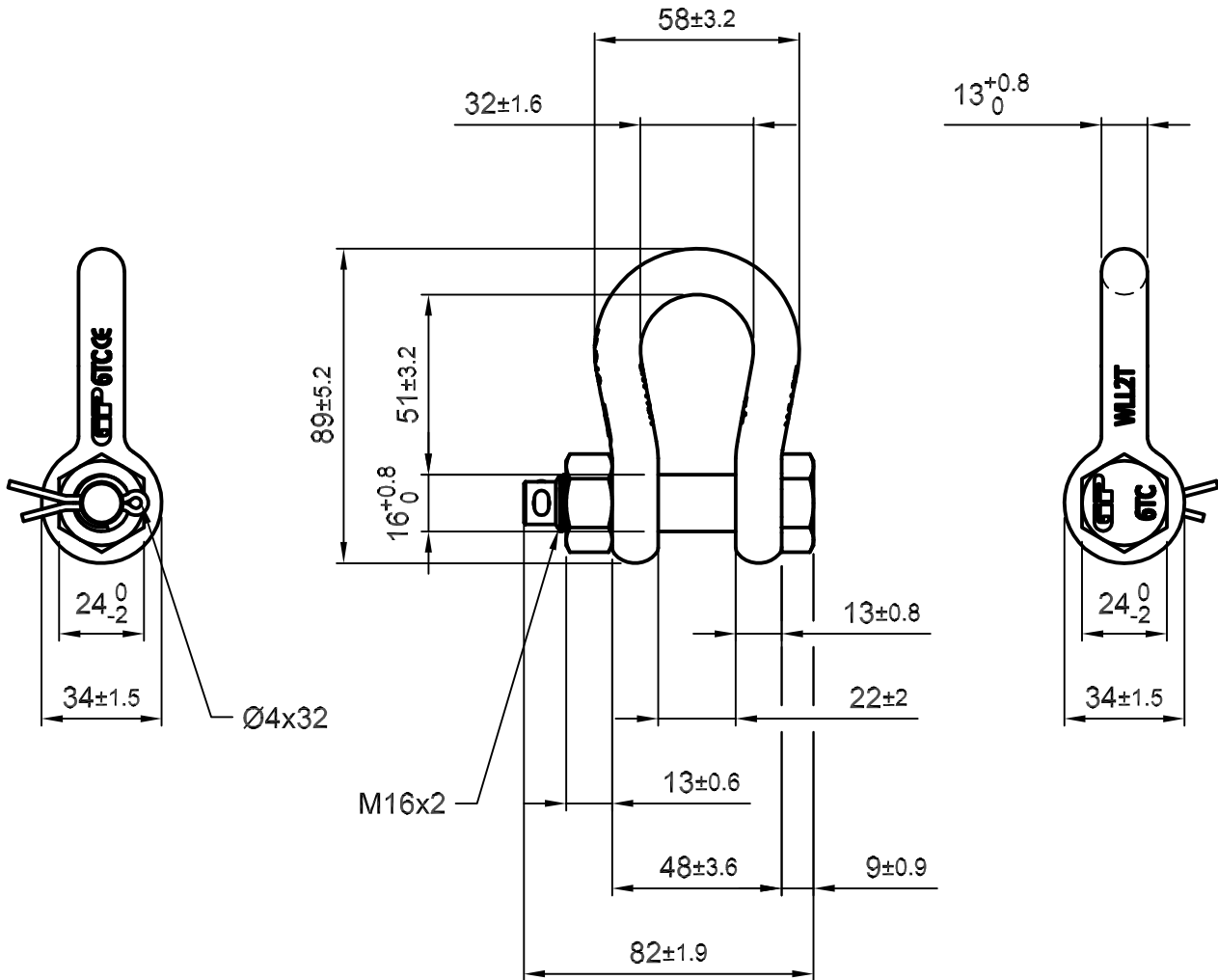
Format	A4	
Scale	1:1	
Drawing number	5002	Rev.
		0

Green Pin® Standard Shackles

Group : G-4163

Part : GPGHMB13

WLL : 2 t



We reserve the right to make amendments on specifications in this drawing without prior notification.



P.O. Box 57, 3360 AB Sliedrecht
(The Netherlands)
Industrieweg 6, 3361 HJ Sliedrecht
Tel. 0184-413300 Fax. 0184-413101

Rev.	Description	Date	Drawn
0	First Issue	31-07-09	H.T.

Copyright by Van Beest B.V. moreover this document is the property of Van Beest B.V. This document or any part of it may neither be made known, copied or multiplied, nor used for any purpose other than that for which it is specifically furnished, without the prior written consent of Van Beest B.V.

Title **Green Pin® Standard Shackles
bow shackles with safety bolt**

Remark
G-4163
GPGHMB13

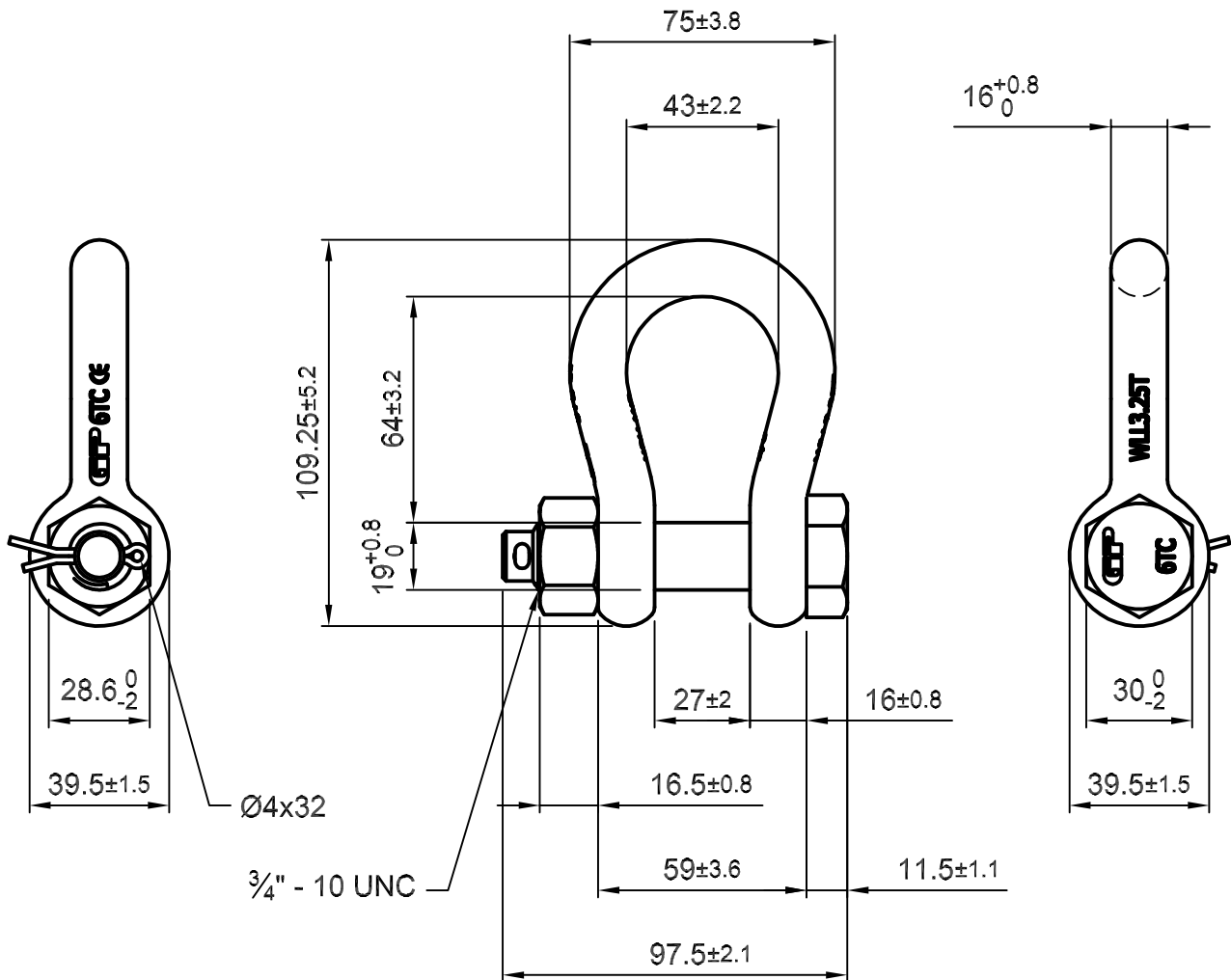
Format	A4	
Scale	1:2	
Drawing number	5004	Rev.
		0

Green Pin® Standard Shackles

Group : G-4163

Part : GPGHMB16

WLL : 3.25 t



We reserve the right to make amendments on specifications in this drawing without prior notification.



P.O. Box 57, 3360 AB Sliedrecht
(The Netherlands)
Industrieweg 6, 3361 HJ Sliedrecht
Tel. 0184-413300 Fax. 0184-413101

Rev.	Description	Date	Drawn
0	First Issue	31-07-09	H.T.

Copyright by Van Beest B.V. moreover this document is the property of Van Beest B.V. This document or any part of it may neither be made known, copied or multiplied, nor used for any purpose other than that for which it is specifically furnished, without the prior written consent of Van Beest B.V.

Title **Green Pin® Standard Shackles
bow shackles with safety bolt**

Remark
G-4163
GPGHMB16

Format	A4		
Scale	1:2		
Drawing number	5005	Rev.	0

Green Pin® Standard Shackles

Group : G-4163

Part : GPGHMB19

WLL : 4.75 t

A

A

B

B

C

C

D

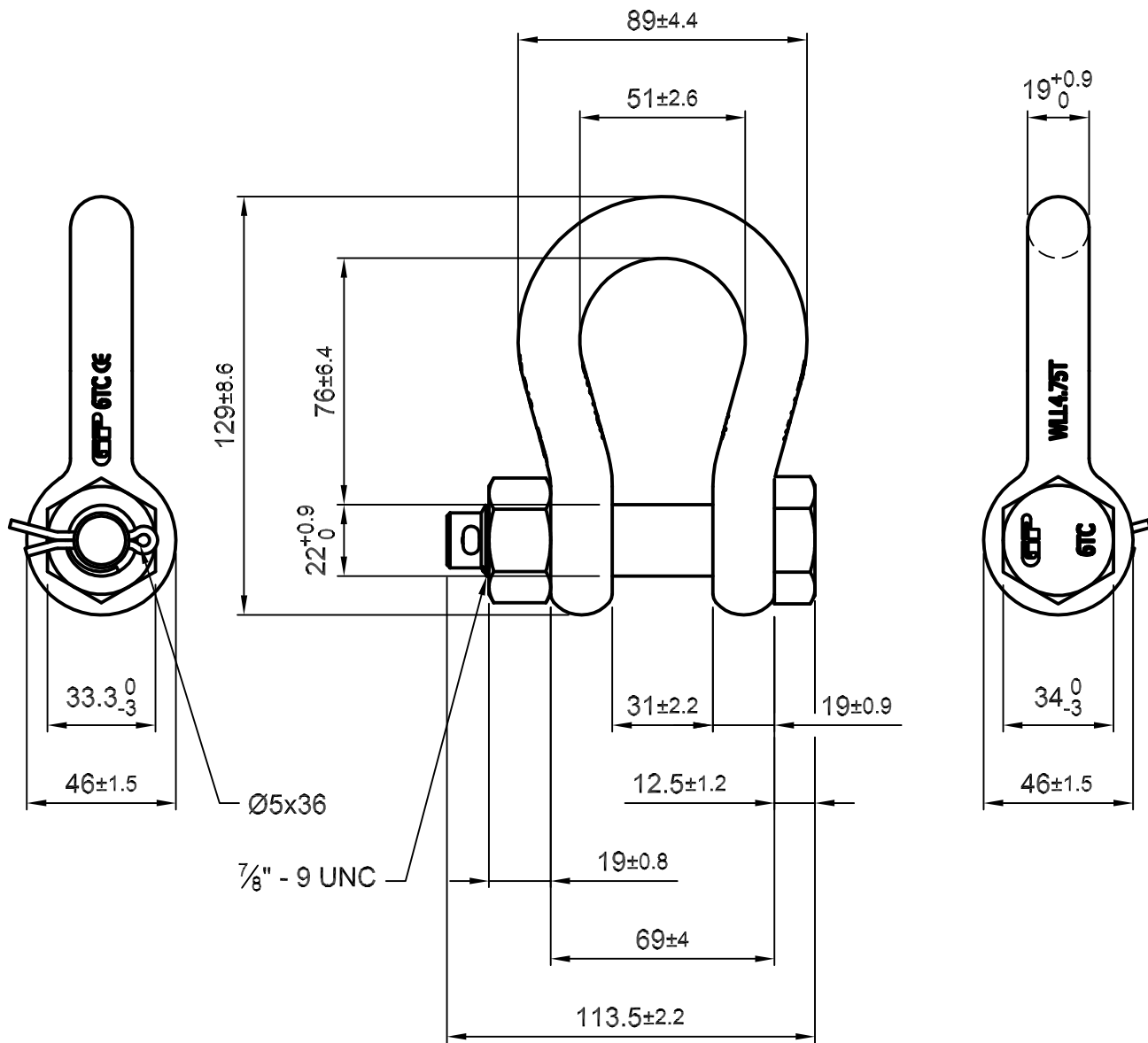
D

E

E


F

F


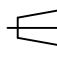


We reserve the right to make amendments on specifications in this drawing without prior notification.

Rev.	Description	Date	Drawn
0	First Issue	31-07-09	H.T.
Copyright by Van Beest B.V. moreover this document is the property of Van Beest B.V. This document or any part of it may neither be made known, copied or multiplied, nor used for any purpose other than that for which it is specifically furnished, without the prior written consent of Van Beest B.V.			
Title		Remark	
Green Pin® Standard Shackles bow shackles with safety bolt		G-4163 GPGHMB19	

VAN BEEST 

P.O. Box 57, 3360 AB Sliedrecht
(The Netherlands)
Industrieweg 6, 3381 HJ Sliedrecht
Tel. 0184-413300 Fax. 0184-413101

Format	A4		
Scale	1:2		
Drawing number	5006	Rev.	0

1

2

3

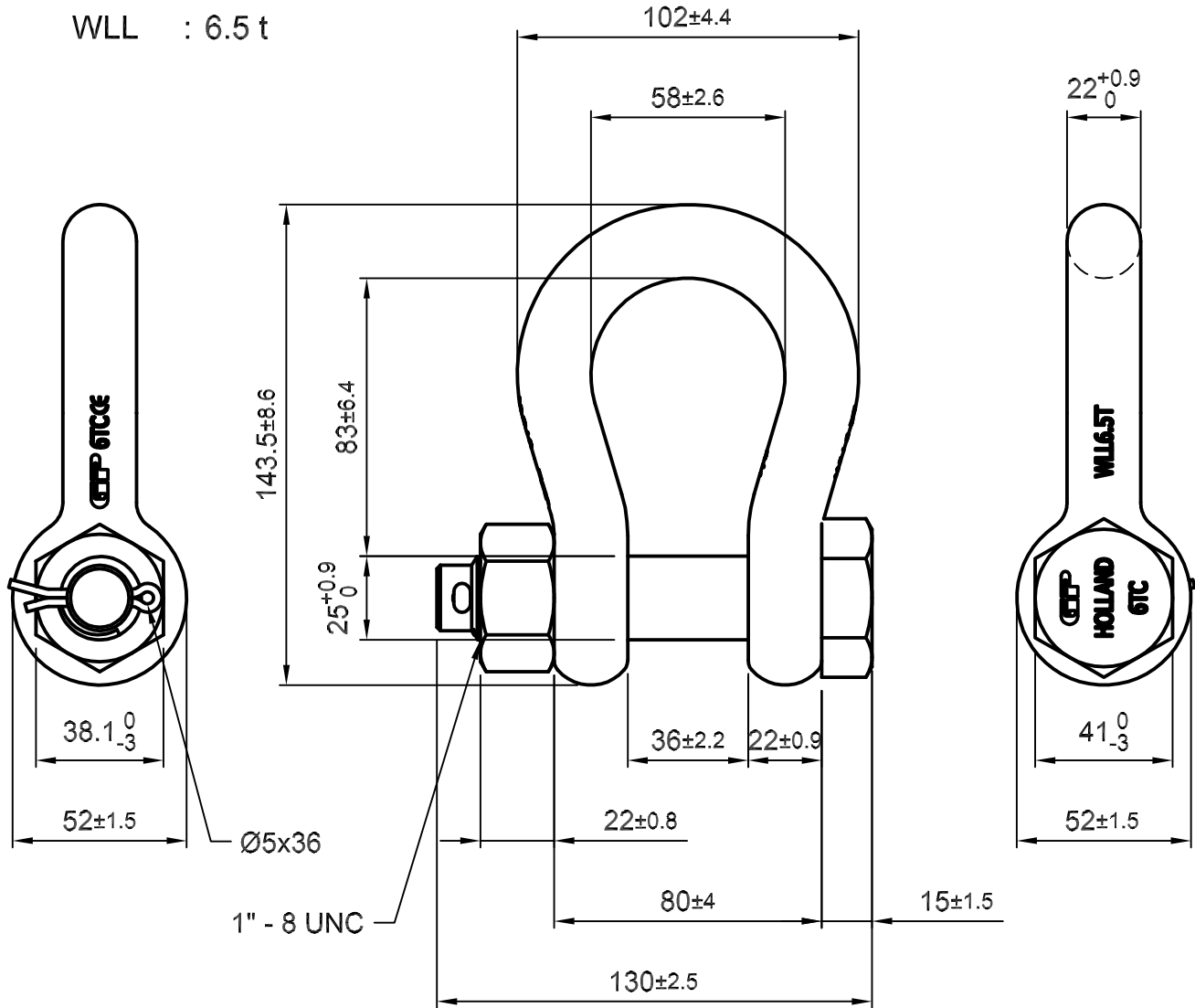
4

Green Pin® Standard Shackles

Group : G-4163

Part : GPGHMB22

WLL : 6.5 t



We reserve the right to make amendments on specifications in this drawing without prior notification.

Rev.	Description	Date	Drawn
0	First Issue	31-07-09	H.T.

Copyright by Van Beest B.V. moreover this document is the property of Van Beest B.V. This document or any part of it may neither be made known, copied or multiplied, nor used for any purpose other than that for which it is specifically furnished, without the prior written consent of Van Beest B.V.

Title **Green Pin® Standard Shackles
bow shackles with safety bolt**

Remark
G-4163
GPGHMB22



P.O. Box 57, 3360 AB Sliedrecht
(The Netherlands)
Industrieweg 6, 3361 HJ Sliedrecht
Tel. 0184-413300 Fax. 0184-413101

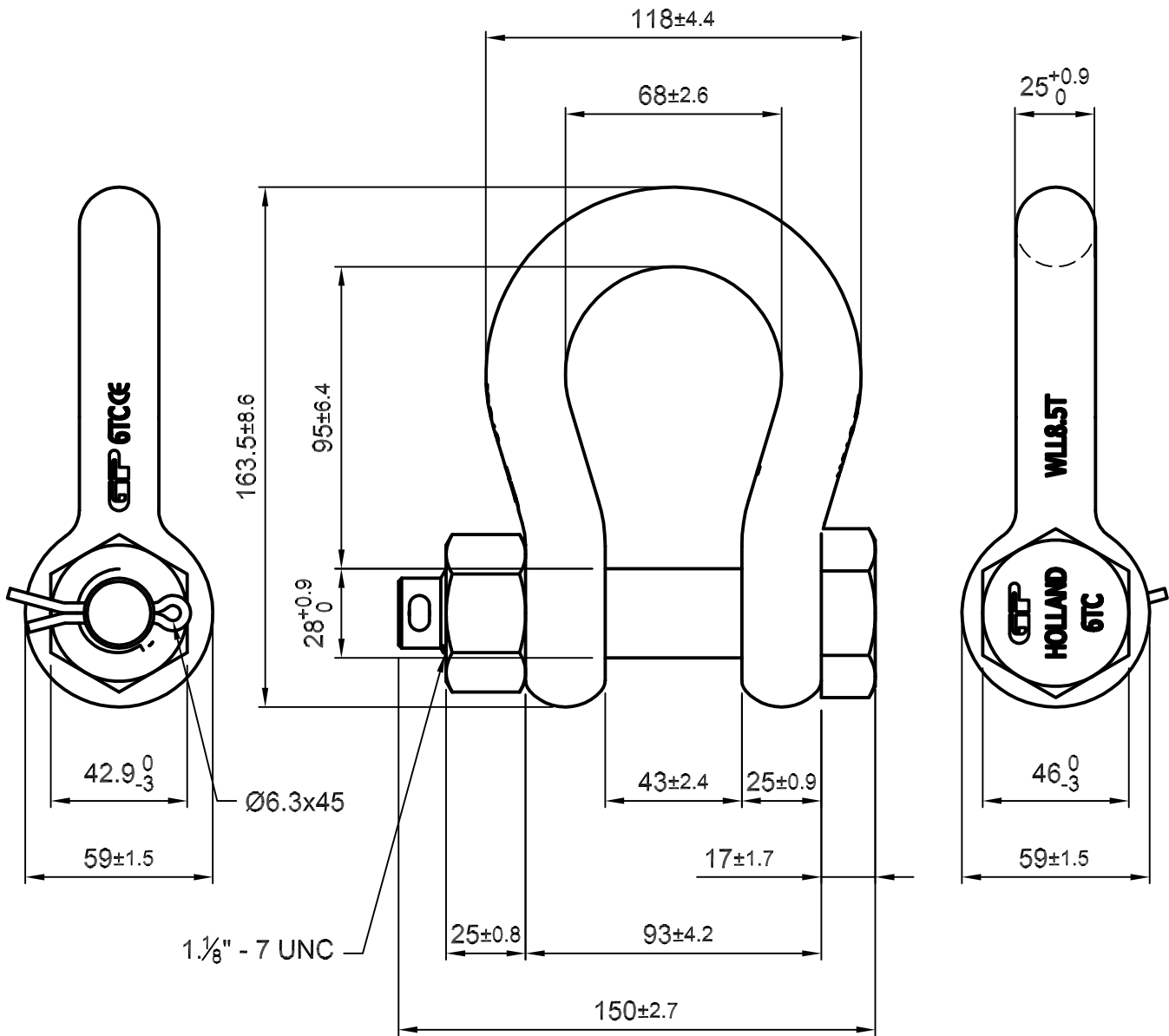
Format	A4	
Scale	1:2	
Drawing number	5007	Rev.
		0

Green Pin® Standard Shackles

Group : G-4163

Part : GPGHMB25

WLL : 8.5 t



We reserve the right to make amendments on specifications in this drawing without prior notification.

Rev.	Description	Date	Drawn
0	First Issue	31-07-09	H.T.

Copyright by Van Beest B.V. moreover this document is the property of Van Beest B.V. This document or any part of it may neither be made known, copied or multiplied, nor used for any purpose other than that for which it is specifically furnished, without the prior written consent of Van Beest B.V.

Title **Green Pin® Standard Shackles
bow shackles with safety bolt**

Remark
G-4163
GPGHMB25



P.O. Box 57, 3360 AB Sliedrecht
(The Netherlands)
Industrieweg 6, 3361 HJ Sliedrecht
Tel. 0184-413300 Fax. 0184-413101

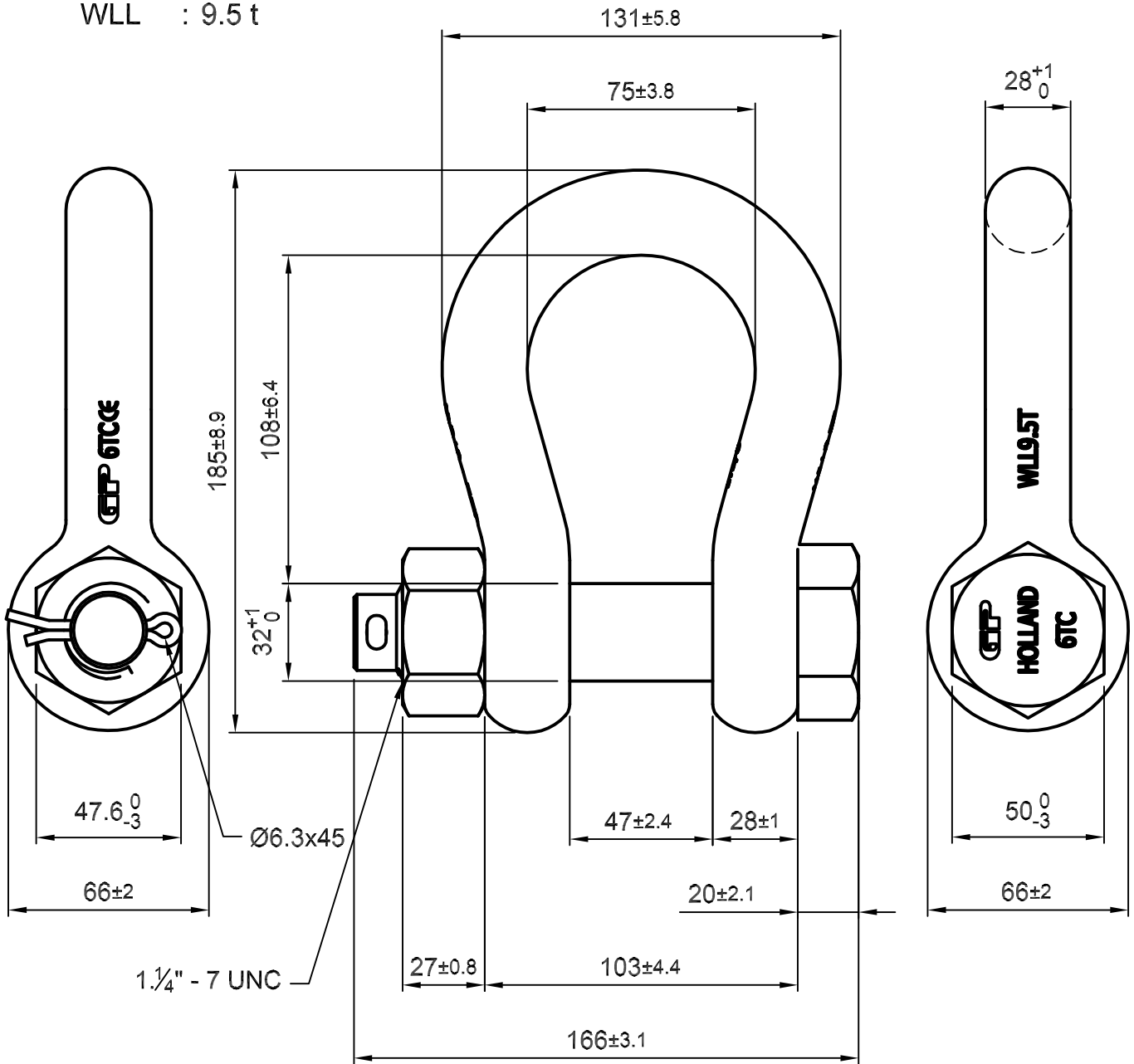
Format	A4		Rev.
Scale	1:2		
Drawing number	5008	0	

Green Pin® Standard Shackles

Group : G-4163

Part : GPGHMB28

WLL : 9.5 t



We reserve the right to make amendments on specifications in this drawing without prior notification.



P.O. Box 57, 3360 AB Sliedrecht
(The Netherlands)
Industrieweg 6, 3361 HJ Sliedrecht
Tel. 0184-413300 Fax. 0184-413101

Rev.	Description	Date	Drawn
0	First Issue	31-07-09	H.T.

Copyright by Van Beest B.V. moreover this document is the property of Van Beest B.V. This document or any part of it may neither be made known, copied or multiplied, nor used for any purpose other than that for which it is specifically furnished, without the prior written consent of Van Beest B.V.

Title **Green Pin® Standard Shackles
bow shackles with safety bolt**

Remark
G-4163
GPGHMB28

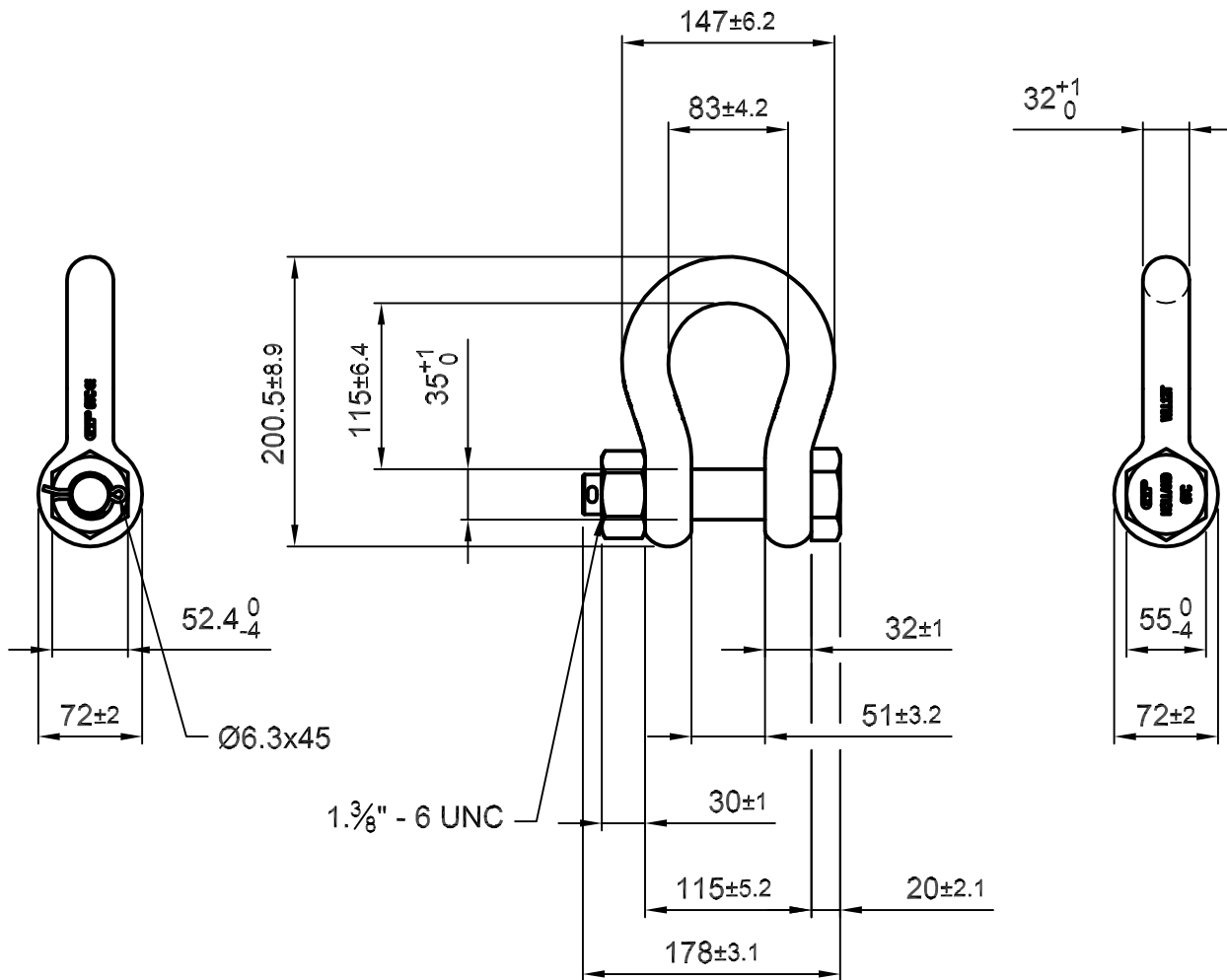
Format	A4	
Scale	1:2	
Drawing number	5009	Rev.
		0

Green Pin® Standard Shackles

Group : G-4163

Part : GPGHMB32

WLL : 12 t



We reserve the right to make amendments on specifications in this drawing without prior notification.

Rev.	Description	Date	Drawn
0	First Issue	31-07-09	H.T.


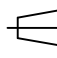
VAN BEEST 

P.O. Box 57, 3360 AB Sliedrecht
(The Netherlands)
Industrieweg 6, 3361 HJ Sliedrecht
Tel. 0184-413300 Fax. 0184-413101

Copyright by Van Beest B.V. moreover this document is the property of Van Beest B.V. This document or any part of it may neither be made known, copied or multiplied, nor used for any purpose other than that for which it is specifically furnished, without the prior written consent of Van Beest B.V.

Title **Green Pin® Standard Shackles
bow shackles with safety bolt**

Remark
G-4163
GPGHMB32

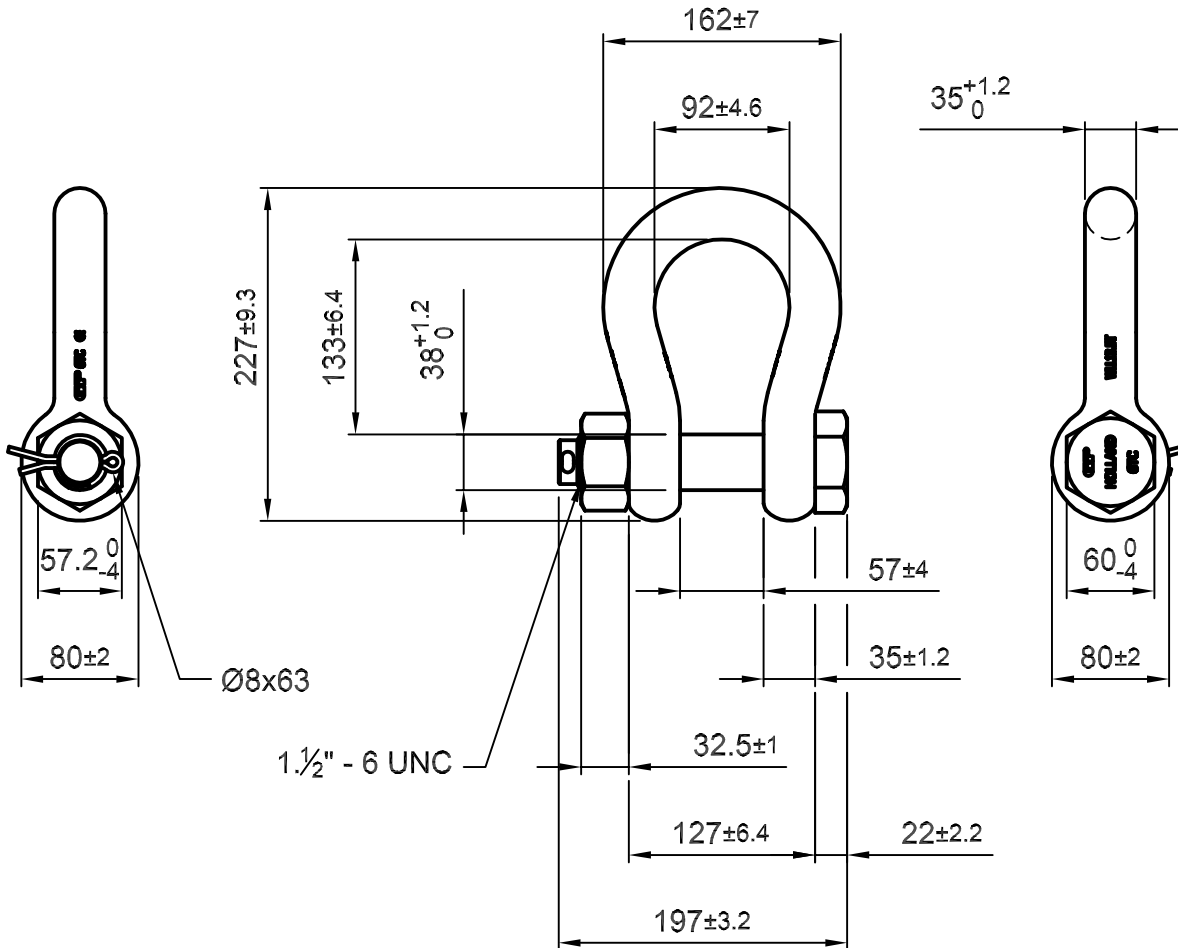
Format	A4		
Scale	1:5		
Drawing number	5010	Rev.	0

Green Pin® Standard Shackles

Group : G-4163

Part : GPGHMB35

WLL : 13.5 t



We reserve the right to make amendments on specifications in this drawing without prior notification.



P.O. Box 57, 3360 AB Sliedrecht
(The Netherlands)
Industrieweg 6, 3361 HJ Sliedrecht
Tel. 0184-413300 Fax. 0184-413101

Rev.	Description	Date	Drawn
0	First Issue	31-07-09	H.T.

Copyright by Van Beest B.V. moreover this document is the property of Van Beest B.V. This document or any part of it may neither be made known, copied or multiplied, nor used for any purpose other than that for which it is specifically furnished, without the prior written consent of Van Beest B.V.

Title **Green Pin® Standard Shackles
bow shackles with safety bolt**

Remark
G-4163
GPGHMB35

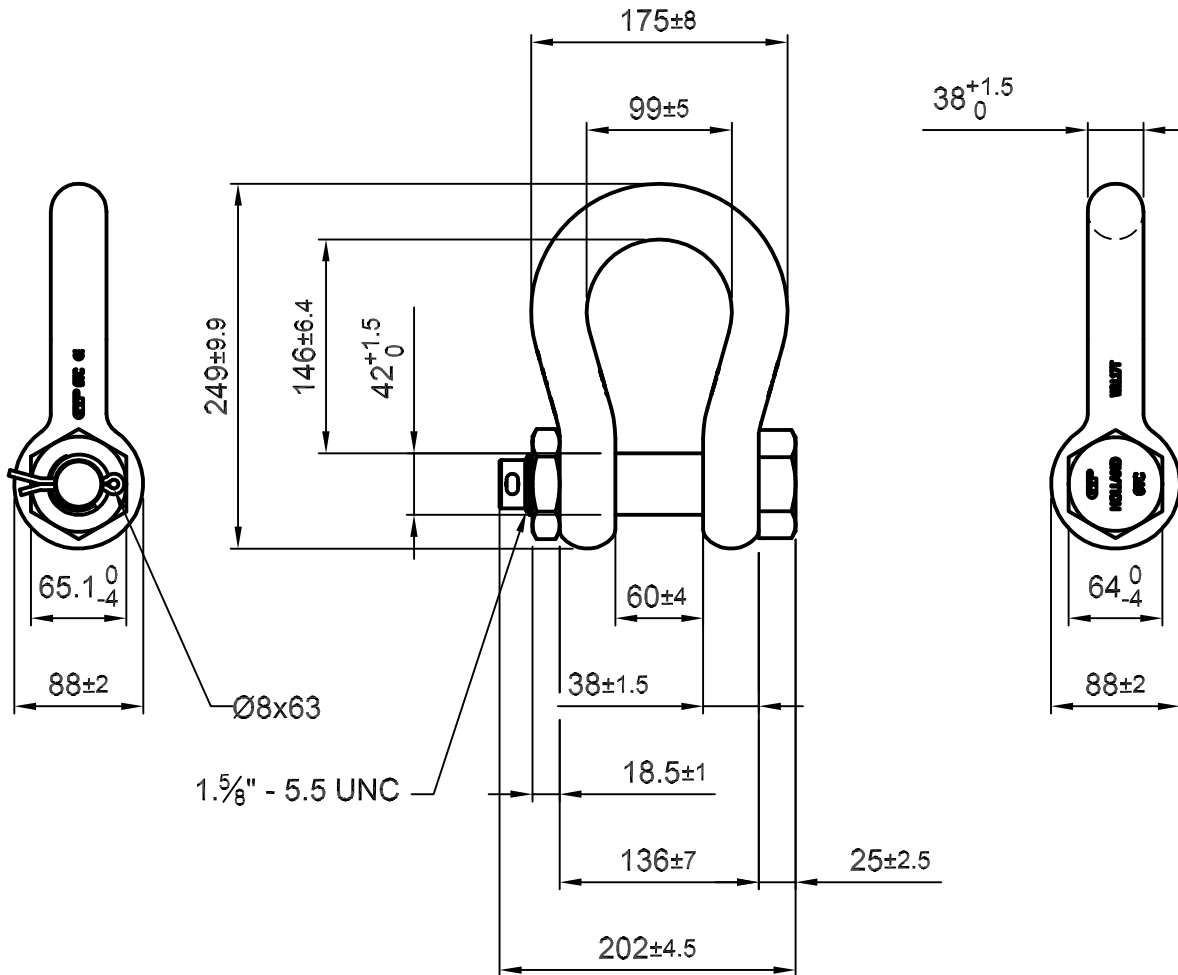
Format	A4	
Scale	1:5	
Drawing number	5011	Rev.
		0

Green Pin® Standard Shackles

Group : G-4163

Part : GPGHMB38

WLL : 17 t



We reserve the right to make amendments on specifications in this drawing without prior notification.



P.O. Box 57, 3360 AB Sliedrecht
(The Netherlands)
Industrieweg 6, 3381 HJ Sliedrecht
Tel. 0184-413300 Fax. 0184-413101

Rev.	Description	Date	Drawn
0	First Issue	31-07-09	H.T.

Copyright by Van Beest B.V. moreover this document is the property of Van Beest B.V. This document or any part of it may neither be made known, copied or multiplied, nor used for any purpose other than that for which it is specifically furnished, without the prior written consent of Van Beest B.V.

Title **Green Pin® Standard Shackles
bow shackles with safety bolt**

Remark
G-4163
GPGHMB38

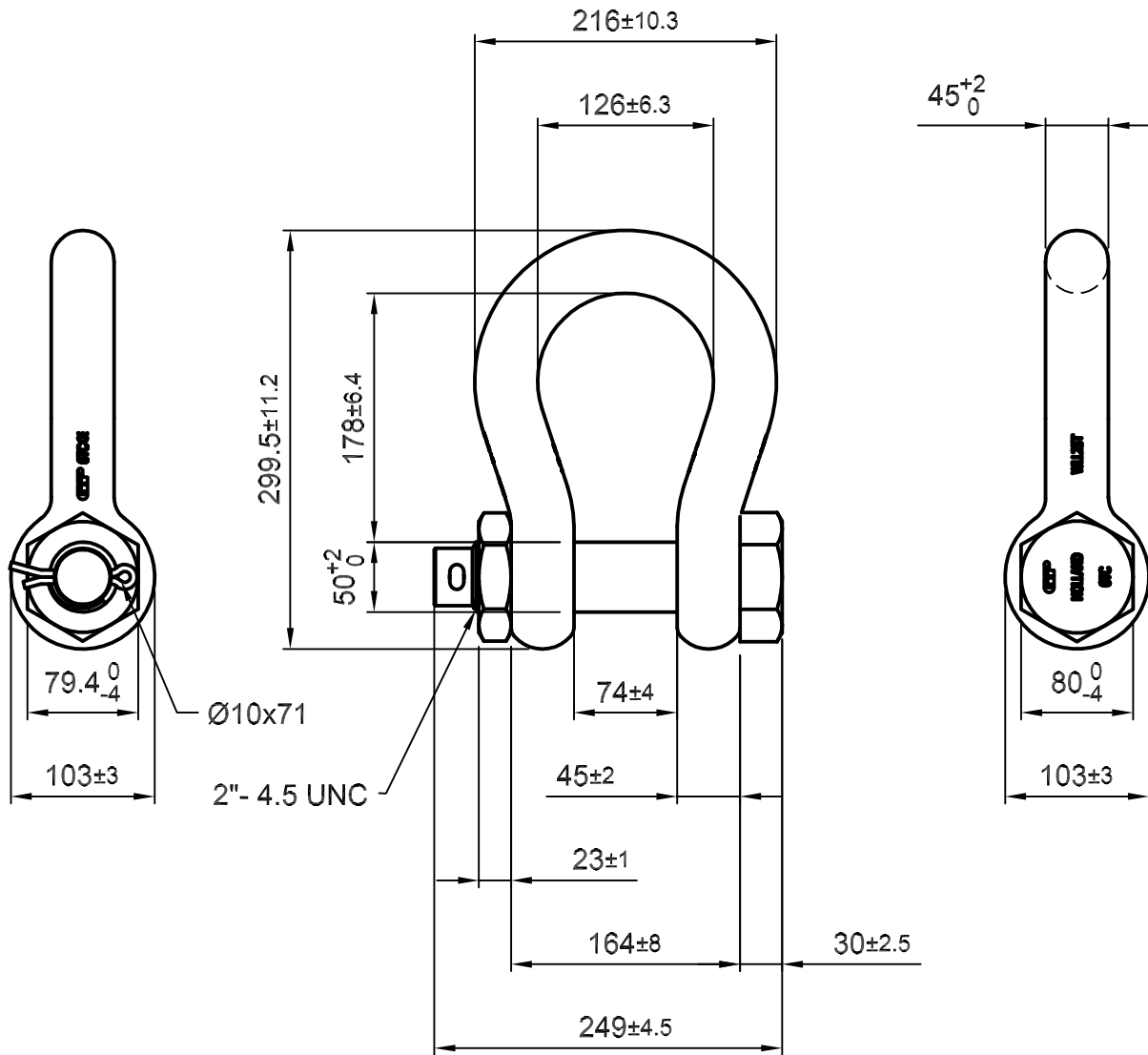
Format	A4		Rev. 0
Scale	1:5		
Drawing number	5012		

Green Pin® Standard Shackles

Group : G-4163

Part : GPGHMB45

WLL : 25 t



We reserve the right to make amendments on specifications in this drawing without prior notification.



P.O. Box 57, 3360 AB Sliedrecht
(The Netherlands)
Industrieweg 6, 3361 HJ Sliedrecht
Tel. 0184-413300 Fax. 0184-413101

Rev.	Description	Date	Drawn
0	First Issue	31-07-09	H.T.

Copyright by Van Beest B.V. moreover this document is the property of Van Beest B.V. This document or any part of it may neither be made known, copied or multiplied, nor used for any purpose other than that for which it is specifically furnished, without the prior written consent of Van Beest B.V.

Title **Green Pin® Standard Shackles
bow shackles with safety bolt**

Remark
G-4163
GPGHMB45

Format	A4	
Scale	1:5	
Drawing number	5013	Rev.
		0

Green Pin® Standard Shackles

Group : G-4163

Part : GPGHMB50

WLL : 35 t

A

A

B

B

C

C

D

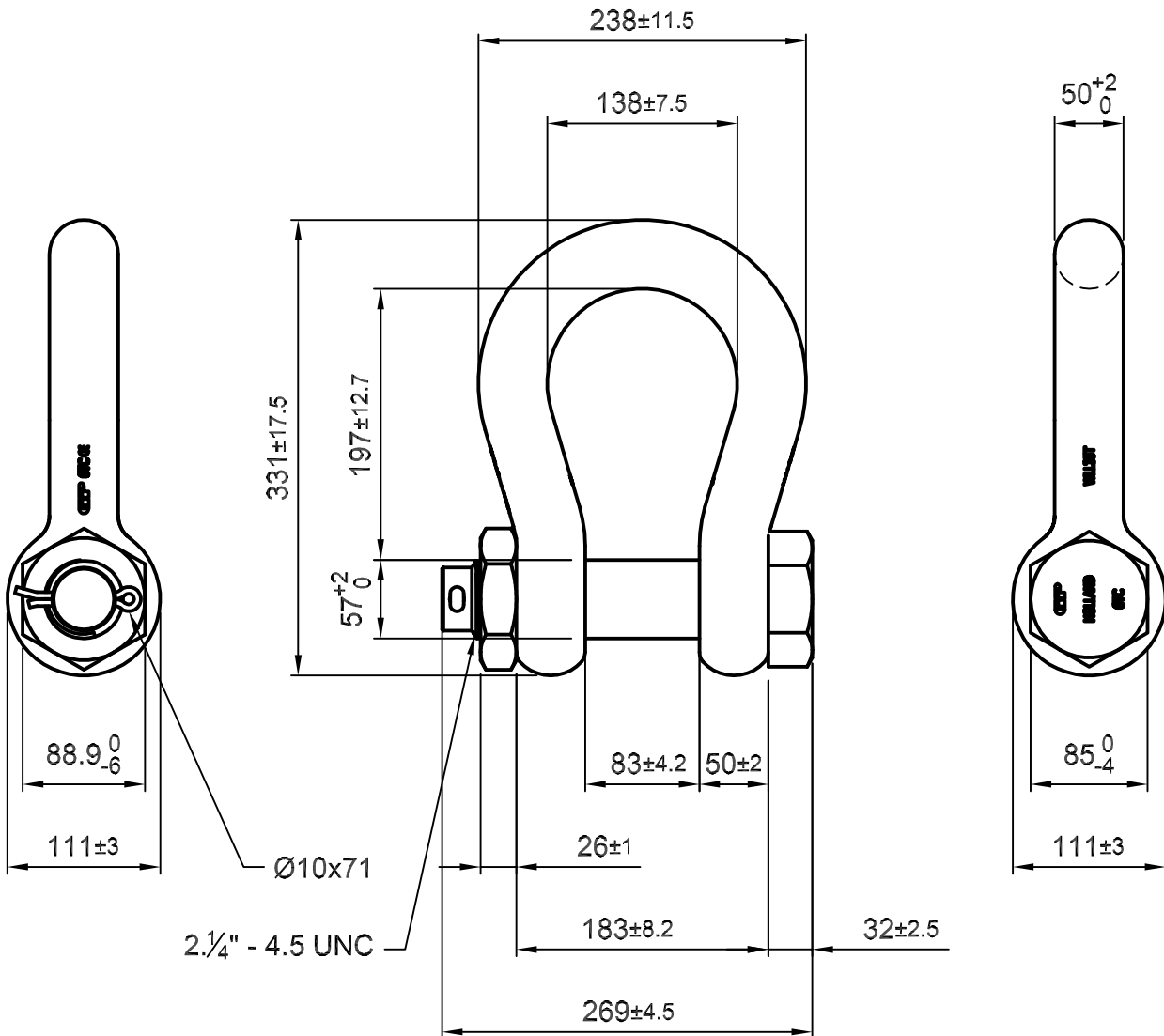
D

E

E

F

F



We reserve the right to make amendments on specifications in this drawing without prior notification.

Rev.	Description	Date	Drawn
0	First Issue	31-07-09	H.T.


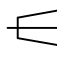
VAN BEEST 

P.O. Box 57, 3360 AB Sliedrecht
(The Netherlands)
Industrieweg 6, 3361 HJ Sliedrecht
Tel. 0184-413300 Fax. 0184-413101

Copyright by Van Beest B.V. moreover this document is the property of Van Beest B.V. This document or any part of it may neither be made known, copied or multiplied, nor used for any purpose other than that for which it is specifically furnished, without the prior written consent of Van Beest B.V.

Title **Green Pin® Standard Shackles
bow shackles with safety bolt**

Remark
G-4163
GPGHMB50

Format	A4		
Scale	1:5		
Drawing number	5014	Rev.	0

1

2

3

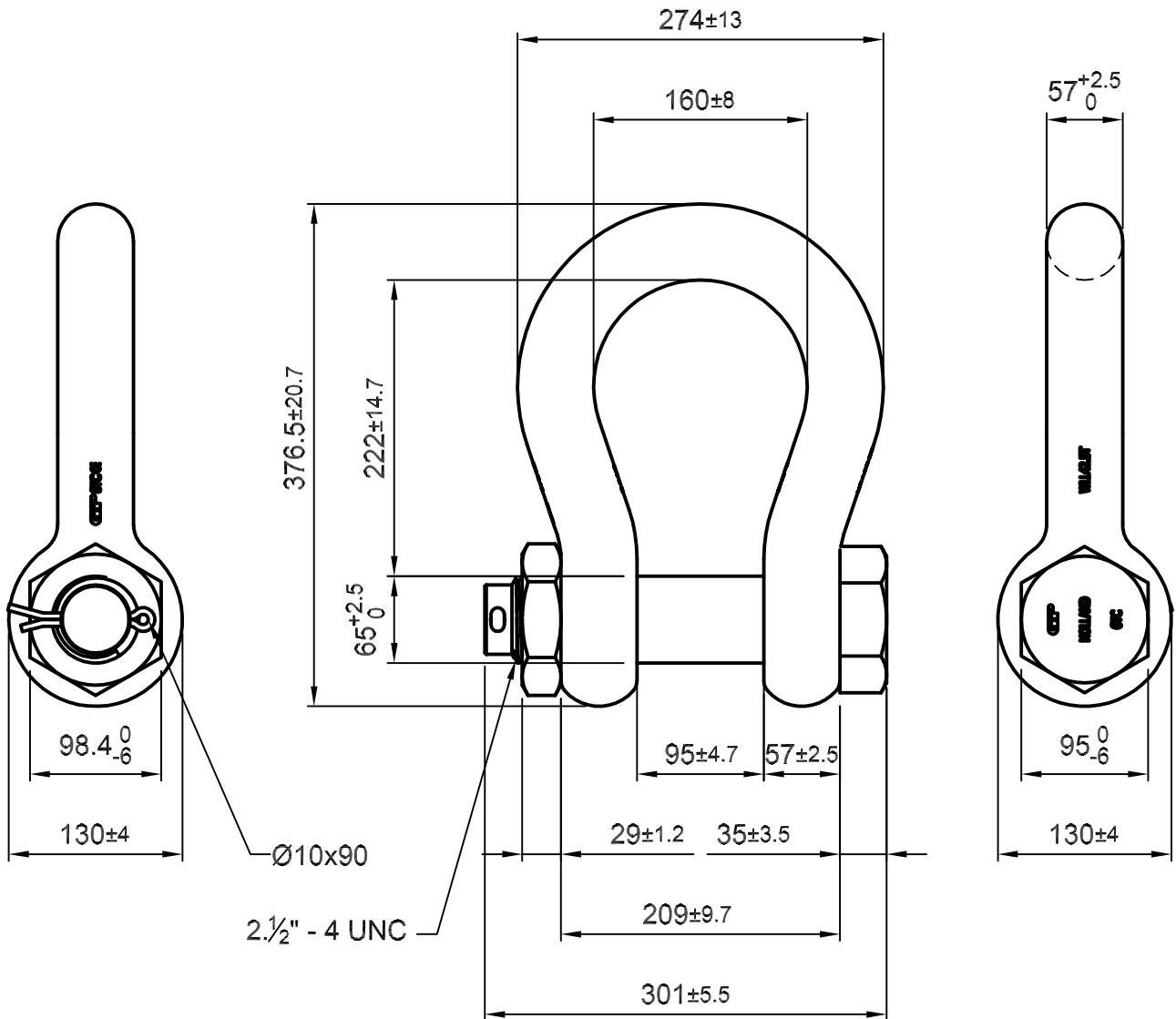
4

Green Pin® Standard Shackles

Group : G-4163

Part : GPGHMB57

WLL : 42.5 t



We reserve the right to make amendments on specifications in this drawing without prior notification.

Rev.	Description	Date	Drawn
0	First Issue	31-07-09	H.T.

Copyright by Van Beest B.V. moreover this document is the property of Van Beest B.V. This document or any part of it may neither be made known, copied or multiplied, nor used for any purpose other than that for which it is specifically furnished, without the prior written consent of Van Beest B.V.



P.O. Box 57, 3360 AB Sliedrecht
 (The Netherlands)
 Industrieweg 6, 3361 HJ Sliedrecht
 Tel. 0184-413300 Fax. 0184-413101

Title **Green Pin® Standard Shackles
 bow shackles with safety bolt**

Remark
 G-4163
 GPGHMB57

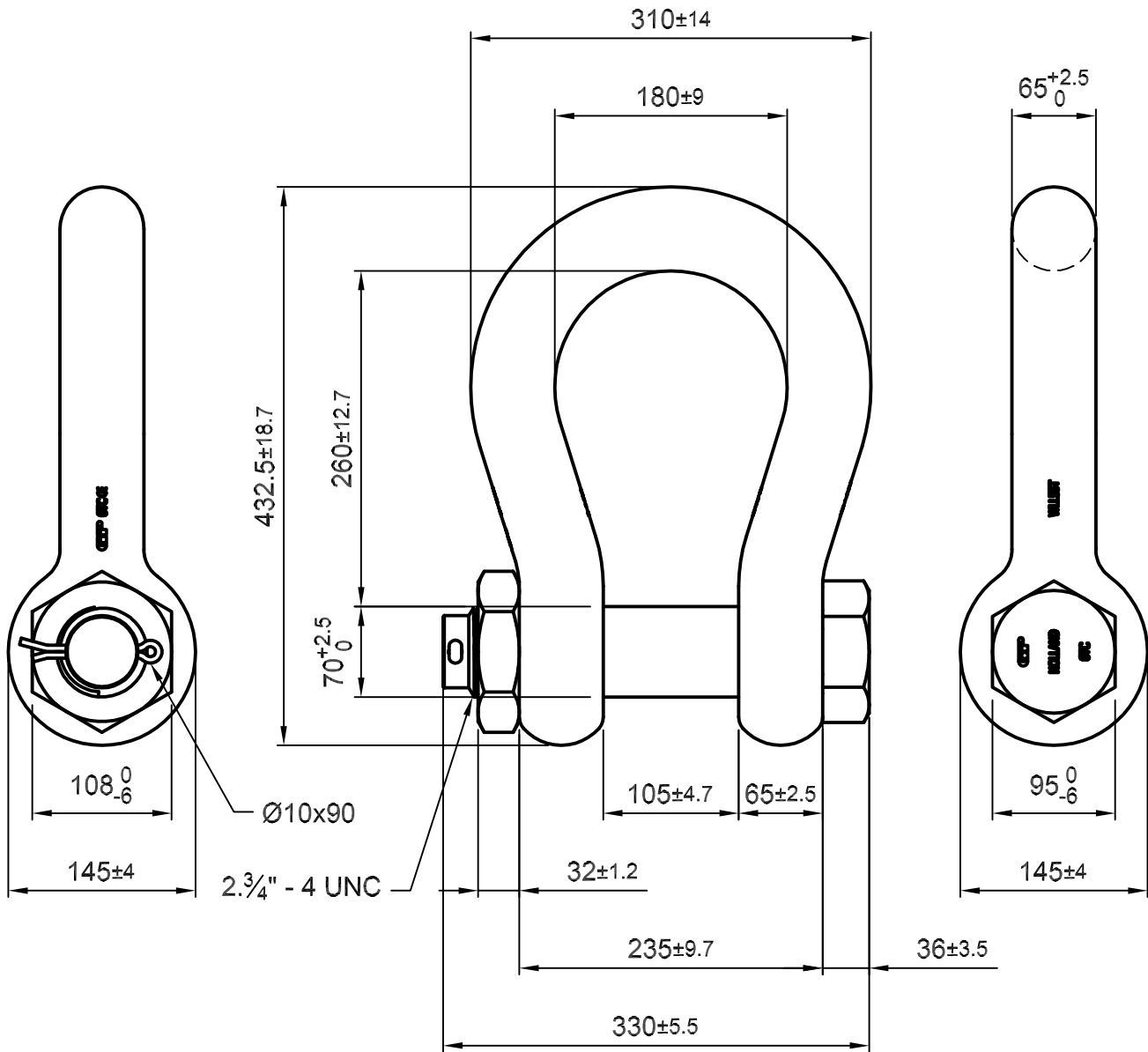
Format	A4	
Scale	1:5	
Drawing number	5015	Rev.
		0

Green Pin® Standard Shackles

Group : G-4163

Part : GPGHMB65

WLL : 55 t



We reserve the right to make amendments on specifications in this drawing without prior notification.

Rev.	Description	Date	Drawn
0	First Issue	31-07-09	H.T.



P.O. Box 57, 3360 AB Sliedrecht
(The Netherlands)
Industrieweg 6, 3361 HJ Sliedrecht
Tel. 0184-413300 Fax. 0184-413101

Copyright by Van Beest B.V. moreover this document is the property of Van Beest B.V. This document or any part of it may neither be made known, copied or multiplied, nor used for any purpose other than that for which it is specifically furnished, without the prior written consent of Van Beest B.V.

Title **Green Pin® Standard Shackles
bow shackles with safety bolt**

Remark
G-4163
GPGHMB65

Format	A4		
Scale	1:5		
Drawing number	5016	Rev.	0

Green Pin® Standard Shackles

Group : G-4163

Part : GPGHMB75

WLL : 85 t

A

B

C

D

E

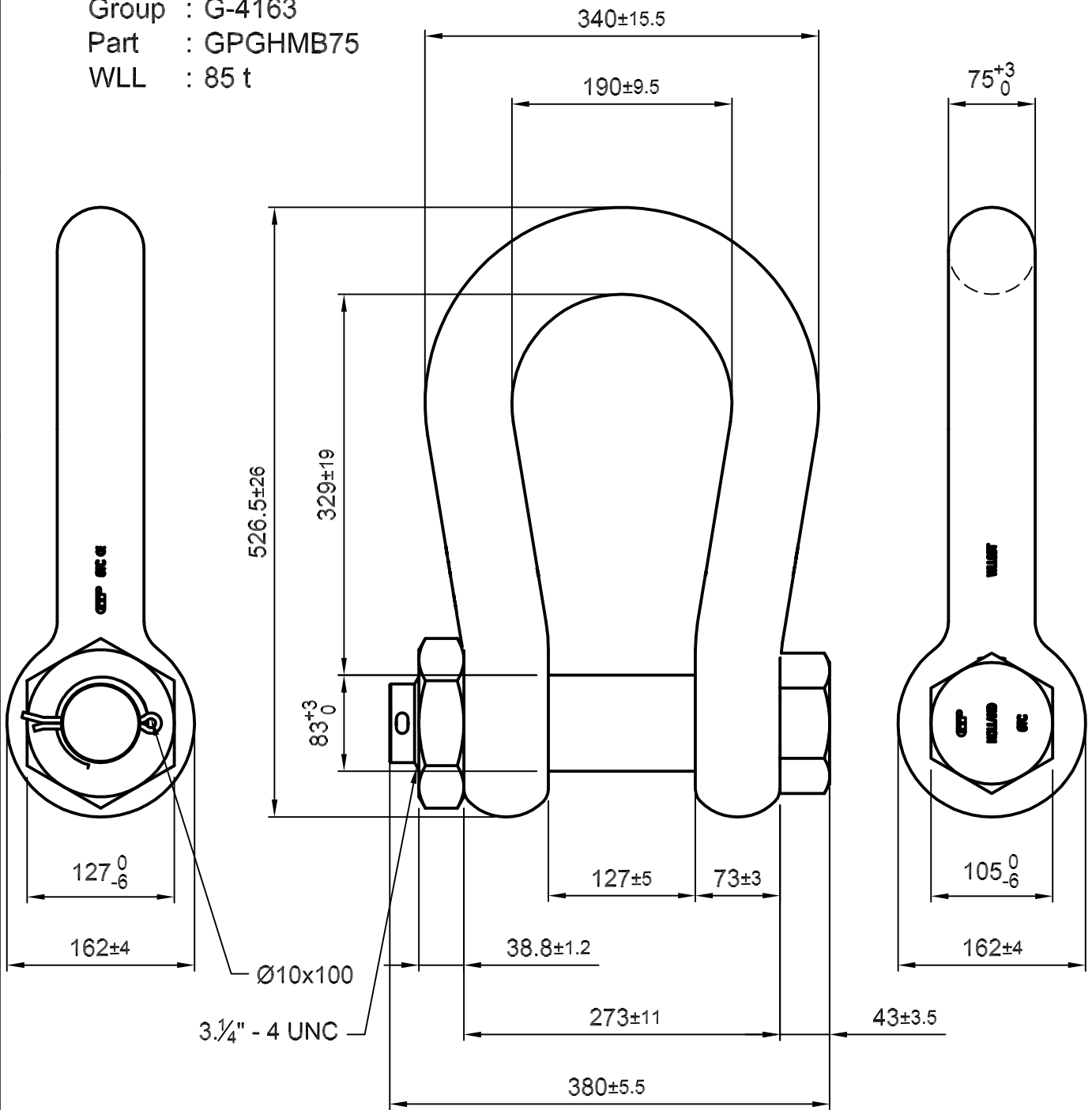
A

B

C

D

E



We reserve the right to make amendments on specifications in this drawing without prior notification.

Rev.	Description	Date	Drawn
0	First Issue	31-07-09	H.T.



P.O. Box 57, 3360 AB Sliedrecht
(The Netherlands)
Industrieweg 6, 3361 HJ Sliedrecht
Tel. 0184-413300 Fax. 0184-413101

Copyright by Van Beest B.V. moreover this document is the property of Van Beest B.V. This document or any part of it may neither be made known, copied or multiplied, nor used for any purpose other than that for which it is specifically furnished, without the prior written consent of Van Beest B.V.

Title **Green Pin® Standard Shackles
bow shackles with safety bolt**

Remark
G-4163
GPGHMB75

Format	A4	
Scale	1:5	
Drawing number	5017	Rev.
		0

1

2

3

4

F

F