



Green Pin[®] Bow Shackle BN
Standard bow shackle with safety bolt



Highlights

- ✓ Double safety (cotter pin & safety bolt)
- ✓ Galvanization assures long-term durability
- ✓ Suitable for both one-leg and multi-leg systems
- ✓ Conforms to wide range of certifications (e.g. DNV)
- ✓ Superior stock availability of 99%

Description

The Green Pin[®] Bow Shackle BN is a bow shackle with a safety bolt. The shackle offers a double safety (split pin and safety bolt) which prevents accidental unscrewing of the pin. Long-term durability is assured due to the galvanization of the Green Pin[®] Bow Shackle BN. Of course, the Green Pin[®] Bow Shackle BN conforms to a wide range of certifications from class societies such as DNV GL. The Green Pin[®] Bow Shackle BN is suitable for both one-leg and multi-leg systems and is available in a range with a working load limit from 0.5 up to 85 ton.

Product details

Productcode	G-4163
Material	bow and pin high tensile steel, Grade 6, quenched and tempered
Safety factor	MBL equals 6 x WLL
Finish	hot dipped galvanized
Certification	2.1 2.2 3.1 MTCa DNV 2.7-1a DNV 2.7-1b DNVGL-ST-0378 CE ABS PDA ABS MA
Standard	EN 13889 and meets performance requirements of US Fed. Spec. RR-C-271, Type IVA, Class 3, Grade A. From 2 t and upward these shackles comply with ASME B30.26



Green Pin® Bow Shackle BN

Technical specifications in millimeters

Article code	working load limit	A diameter bow	B diameter pin	C diameter eye	D width eye	E width inside	F length inside	G width bow	H length	I length bolt	J width	K thickness nut	Net weight (kg)
GPGHMB06	0,5	7	8	16	7	12	29	20	48	42	34	4	0.06
GPGHMB08	0,75	9	10	20	9	13,5	32	22	56	50	40	5	0.11
GPGHMB10	1	10	11	23	10	17	37	26	64	60	46	8	0.15
GPGHMB11	1,5	11	13	25	11	19	43	29	73	67	51	11	0.22
GPGHMB13	2	13,5	16	34	13	22	51	32	90	80	59	13	0.42
GPGHMB16	3,25	16	19	40	16	27	64	43	110	98	75	17	0.74
GPGHMB19	4,75	19	22	46	19	31	76	51	129	115	89	19	1.18
GPGHMB22	6,5	22	25	52	22	36	83	58	144	130	102	22	1.77
GPGHMB25	8,5	25	28	59	25	43	95	68	164	150	118	25	2.58
GPGHMB28	9,5	28	32	67	28	47	108	75	186	166	131	27	3.66
GPGHMB32	12	32	35	73	32	51	115	83	201	184	147	30	4.91
GPGHMB35	13,5	35	38	79	35	57	133	92	227	197	162	33	6.54



Green Pin® Bow Shackle BN

Technical specifications in millimeters

Article code	working load limit	A diameter bow	B diameter pin	C diameter eye	D width eye	E width inside	F length inside	G width bow	H length	I length bolt	J width	K thickness nut	Net weight (kg)
GPGHMB38	17	38	42	88	38	60	146	99	249	202	175	19	8.19
GPGHMB45	25	45	50	104	45	74	178	126	300	243	216	23	14.0
GPGHMB50	35	50	57	112	50	83	197	138	332	269	238	26	18.8
GPGHMB57	42,5	57	65	132	57	95	222	160	378	301	274	29	28.3
GPGHMB65	55	65	70	145	65	105	260	180	433	329	310	32	39.6
GPGHMB75	85	75	83	167	75	127	330	190	530	381	340	39	62

www.greenpin.com



Green Pin® Bow Shackle BN

Technical specifications in inches

Article code	working load limit	A diameter bow (inch)	B diameter pin (inch)	C diameter eye (inch)	D width eye (inch)	E width inside (inch)	F length inside (inch)	G width bow (inch)	H length (inch)	I length bolt (inch)	J width (inch)	K thickness nut (inch)	Net weight (LBS)
GPGHMB06	0,5	1/4	5/16	5/8	9/32	15/32	1 5/32	25/32	1 7/8	1 21/32	1 11/32	5/32	0.12
GPGHMB08	0,75	5/16	3/8	25/32	11/32	17/32	1 1/4	7/8	2 7/32	1 31/32	1 9/16	3/16	0.24
GPGHMB10	1	3/8	7/16	29/32	13/32	21/32	1 15/32	1 1/32	2 17/32	2 3/8	1 13/16	5/16	0.32
GPGHMB11	1,5	7/16	1/2	31/32	7/16	3/4	1 11/16	1 5/32	2 7/8	2 5/8	2	7/16	0.48
GPGHMB13	2	1/2	5/8	1 11/32	1/2	7/8	2	1 1/4	3 17/32	3 5/32	2 5/16	1/2	0.92
GPGHMB16	3,25	5/8	3/4	1 9/16	5/8	1 1/16	2 17/32	1 11/16	4 11/32	3 27/32	2 15/16	21/32	1.62
GPGHMB19	4,75	3/4	7/8	1 13/16	3/4	1 7/32	3	2	5 3/32	4 17/32	3 1/2	3/4	2.59
GPGHMB22	6,5	7/8	1	2 1/16	7/8	1 13/32	3 9/32	2 9/32	5 21/32	5 1/8	4 1/32	7/8	3.90
GPGHMB25	8,5	1	1 1/8	2 5/16	31/32	1 11/16	3 3/4	2 11/16	6 15/32	5 29/32	4 21/32	31/32	5.69
GPGHMB28	9,5	1 1/8	1 1/4	2 5/8	1 3/32	1 27/32	4 1/4	2 15/16	7 5/16	6 17/32	5 5/32	1 1/16	8.07
GPGHMB32	12	1 1/4	1 3/8	2 7/8	1 1/4	2	4 17/32	3 9/32	7 29/32	7 1/4	5 25/32	1 3/16	10.8
GPGHMB35	13,5	1 3/8	1 1/2	3 1/8	1 3/8	2 1/4	5 1/4	3 5/8	8 15/16	7 3/4	6 3/8	1 5/16	14.4



Green Pin® Bow Shackle BN

Technical specifications in inches

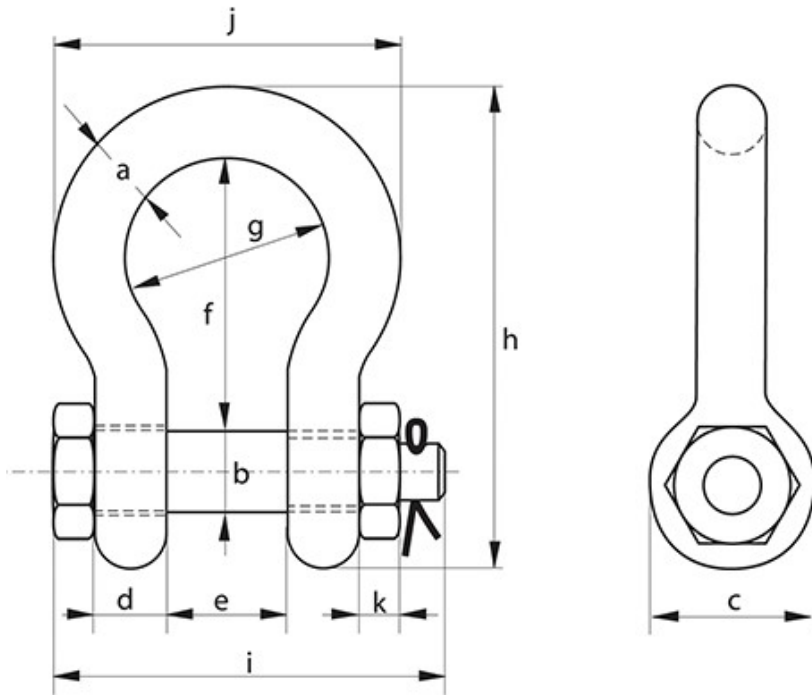
Article code	working load limit	A diameter bow (inch)	B diameter pin (inch)	C diameter eye (inch)	D width eye (inch)	E width inside (inch)	F length inside (inch)	G width bow (inch)	H length (inch)	I length bolt (inch)	J width (inch)	K thickness nut (inch)	Net weight (LBS)
GPGHMB38	17	1 1/2	1 5/8	3 15/32	1 1/2	2 3/8	5 3/4	3 29/32	9 13/16	7 15/16	6 7/8	3/4	18.1
GPGHMB45	25	1 3/4	2	4 3/32	1 25/32	2 29/32	7	4 31/32	11 13/16	9 9/16	8 1/2	29/32	30.8
GPGHMB50	35	2	2 1/4	4 13/32	1 31/32	3 9/32	7 3/4	5 7/16	13 1/16	10 19/32	9 3/8	1 1/32	41.5
GPGHMB57	42,5	2 1/4	2 9/16	5 3/16	2 1/4	3 3/4	8 3/4	6 5/16	14 7/8	11 27/32	10 23/32	1 5/32	62.5
GPGHMB65	55	2 1/2	2 3/4	5 23/32	2 9/16	4 1/8	10 1/4	7 3/32	17 1/16	12 15/16	12 7/32	1 1/4	87.3
GPGHMB75	85	3	3 1/4	6 9/16	2 15/16	5	13	7 15/32	20 7/8	15	13 3/8	1 17/32	137

www.greenpin.com



Green Pin® Bow Shackle BN

Technical drawing



www.greenpin.com