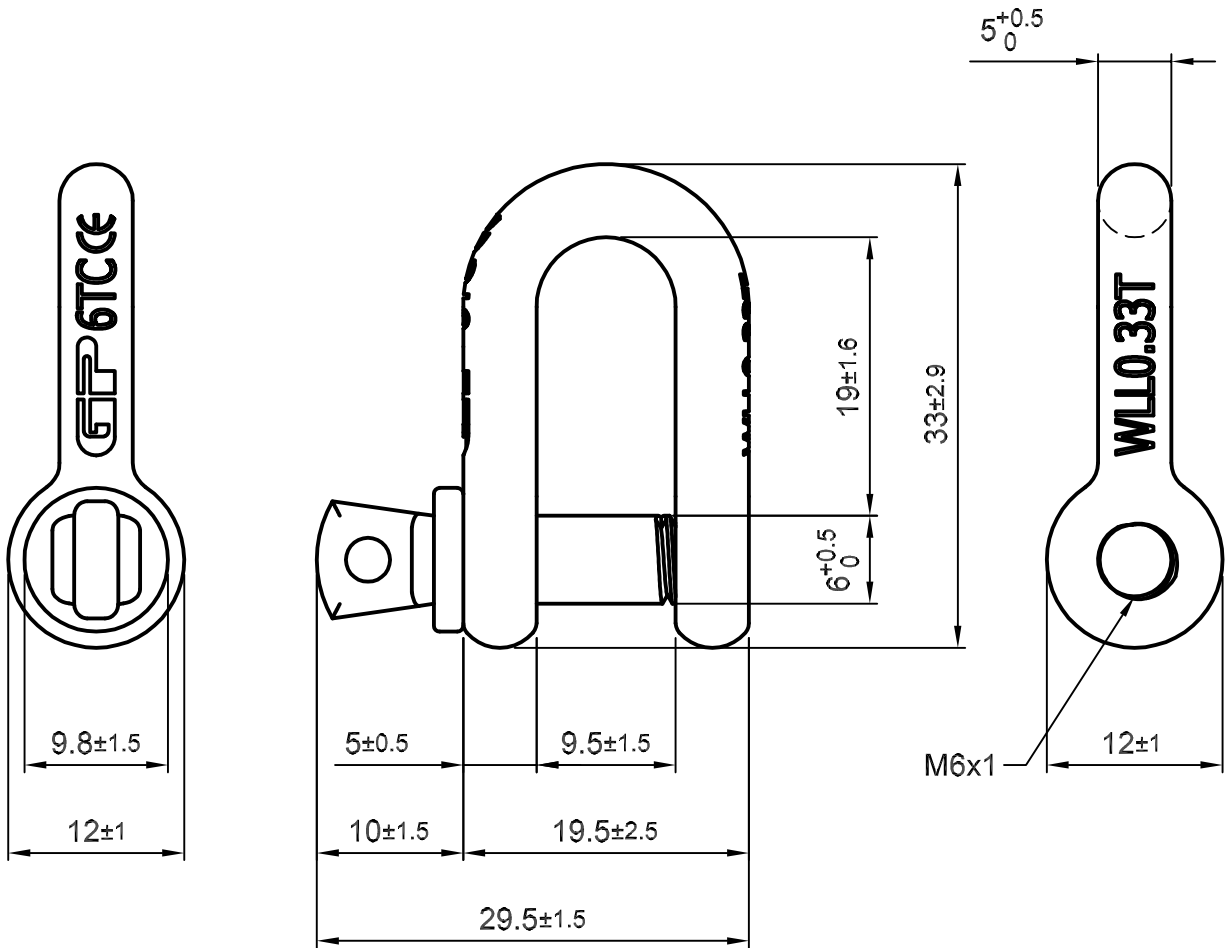


Green Pin® Standard Shackles

Group : G-4151

Part : GPGDBB05

WLL : 0.33 t



We reserve the right to make amendments on specifications in this drawing without prior notification.



P.O. Box 57, 3360 AB Sliedrecht
(The Netherlands)
Industrieweg 6, 3361 HJ Sliedrecht
Tel. 0184-413300 Fax. 0184-413101

Rev.	Description	Date	Drawn
0	First Issue	31-07-09	H.T.

Copyright by Van Beest B.V. moreover this document is the property of Van Beest B.V. This document or any part of it may neither be made known, copied or multiplied, nor used for any purpose other than that for which it is specifically furnished, without the prior written consent of Van Beest B.V.

Title **Green Pin® Standard Shackles**
dee shackles with screw collar pin

Remark
G-4151
GPGDBB05

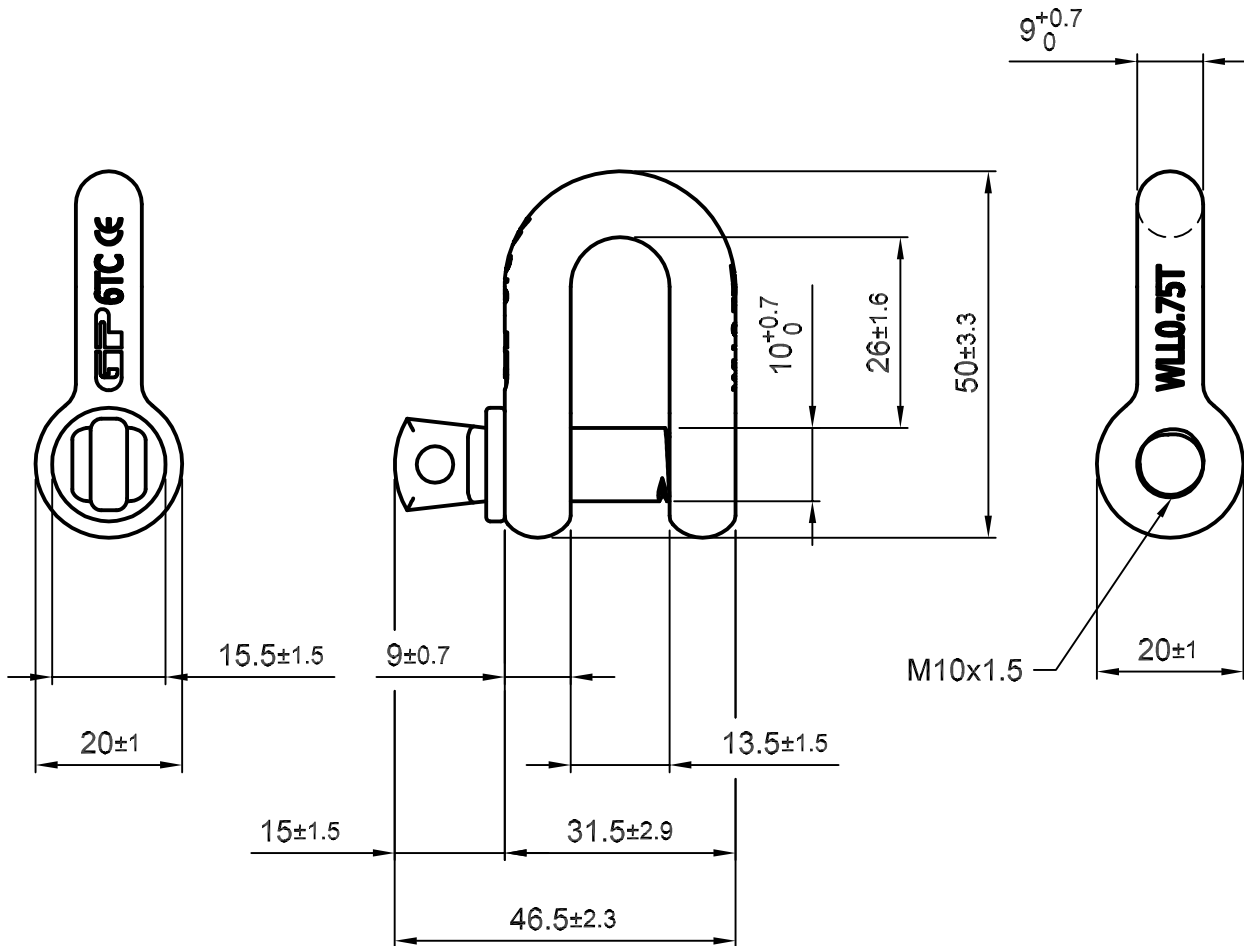
Format	A4	
Scale	2:1	
Drawing number	5075	Rev.
		0

Green Pin® Standard Shackles

Group : G-4151

Part : GPGDBB08

WLL : 0.75 t



We reserve the right to make amendments on specifications in this drawing without prior notification.



P.O. Box 57, 3360 AB Sliedrecht
(The Netherlands)
Industrieweg 6, 3361 HJ Sliedrecht
Tel. 0184-413300 Fax. 0184-413101

Rev.	Description	Date	Drawn
0	First Issue	31-07-09	H.T.

Copyright by Van Beest B.V. moreover this document is the property of Van Beest B.V. This document or any part of it may neither be made known, copied or multiplied, nor used for any purpose other than that for which it is specifically furnished, without the prior written consent of Van Beest B.V.

Title **Green Pin® Standard Shackles**
dee shackles with screw collar pin

Remark
G-4151
GPGDBB08

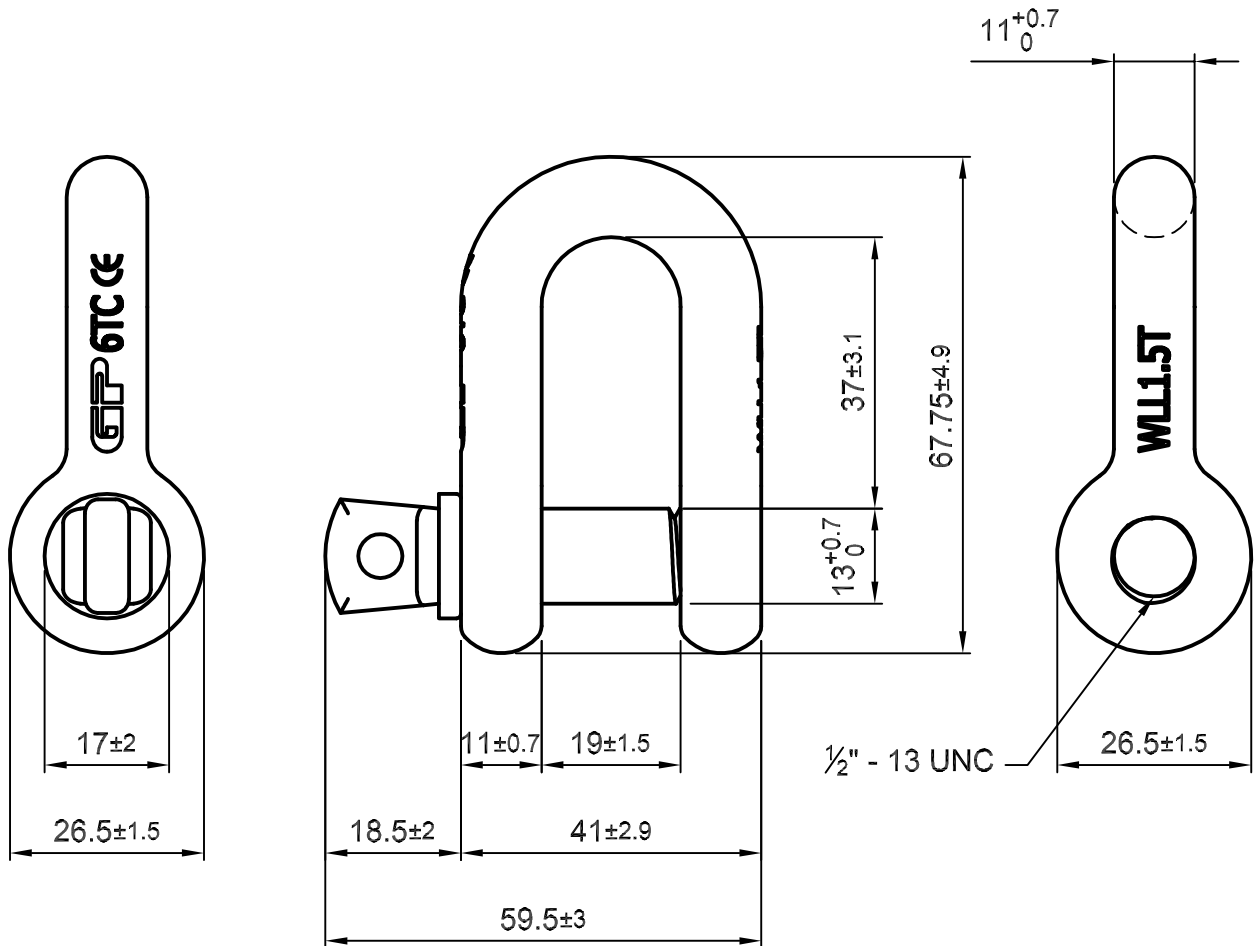
Format	A4	
Scale	1:1	
Drawing number	5077	Rev.
		0

Green Pin® Standard Shackles

Group : G-4151

Part : GPGDBB11

WLL : 1.5 t



We reserve the right to make amendments on specifications in this drawing without prior notification.



P.O. Box 57, 3360 AB Sliedrecht
(The Netherlands)
Industrieweg 6, 3361 HJ Sliedrecht
Tel. 0184-413300 Fax. 0184-413101

Rev.	Description	Date	Drawn
0	First Issue	31-07-09	H.T.

Copyright by Van Beest B.V. moreover this document is the property of Van Beest B.V. This document or any part of it may neither be made known, copied or multiplied, nor used for any purpose other than that for which it is specifically furnished, without the prior written consent of Van Beest B.V.

Title **Green Pin® Standard Shackles**
dee shackles with screw collar pin

Remark
G-4151
GPGDBB11

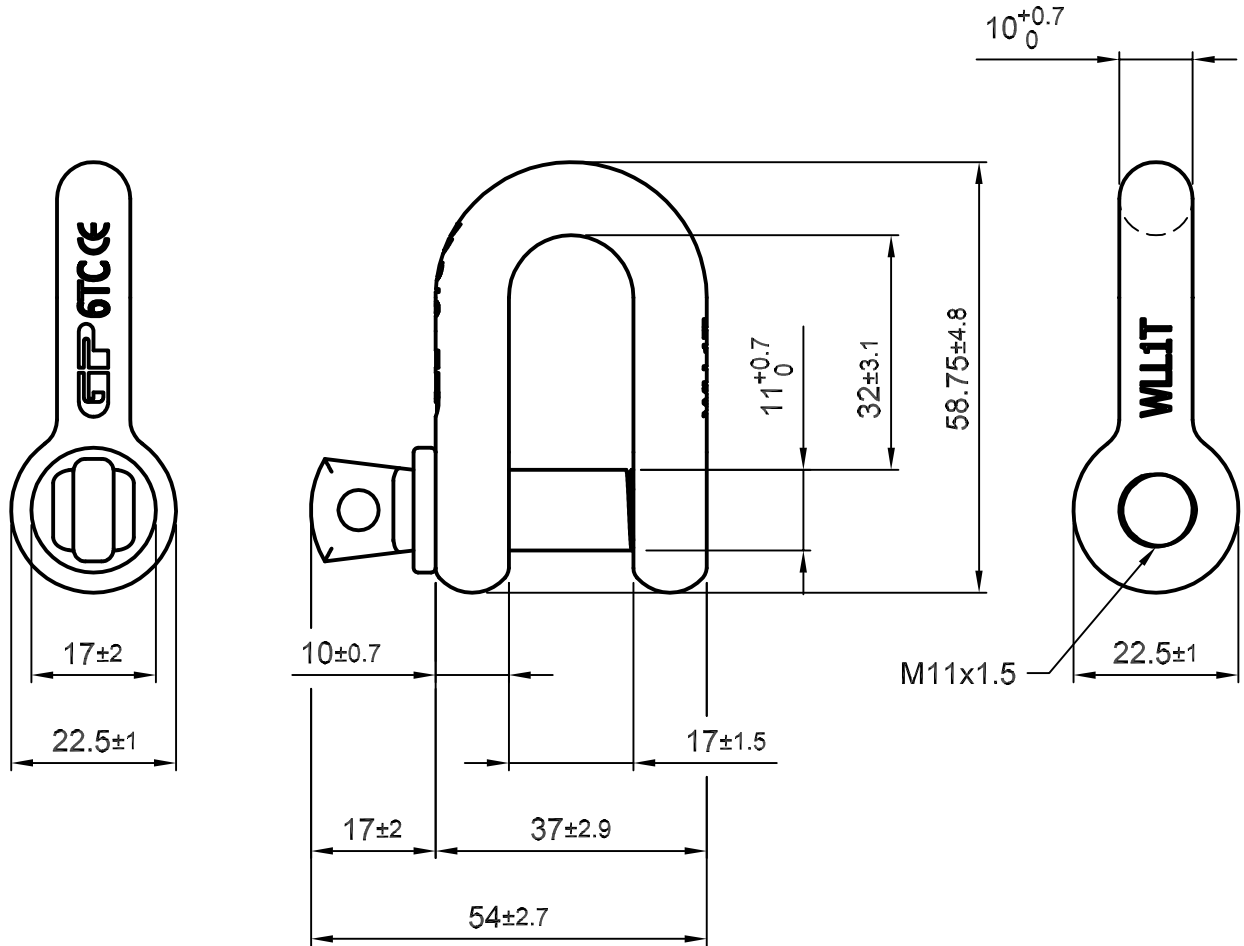
Format	A4	
Scale	1:1	
Drawing number	5079	Rev.
		0

Green Pin® Standard Shackles

Group : G-4151

Part : GPGDBB10

WLL : 1 t



We reserve the right to make amendments on specifications in this drawing without prior notification.



P.O. Box 57, 3360 AB Sliedrecht
(The Netherlands)
Industrieweg 6, 3361 HJ Sliedrecht
Tel. 0184-413300 Fax. 0184-413101

Rev.	Description	Date	Drawn
0	First Issue	31-07-09	H.T.

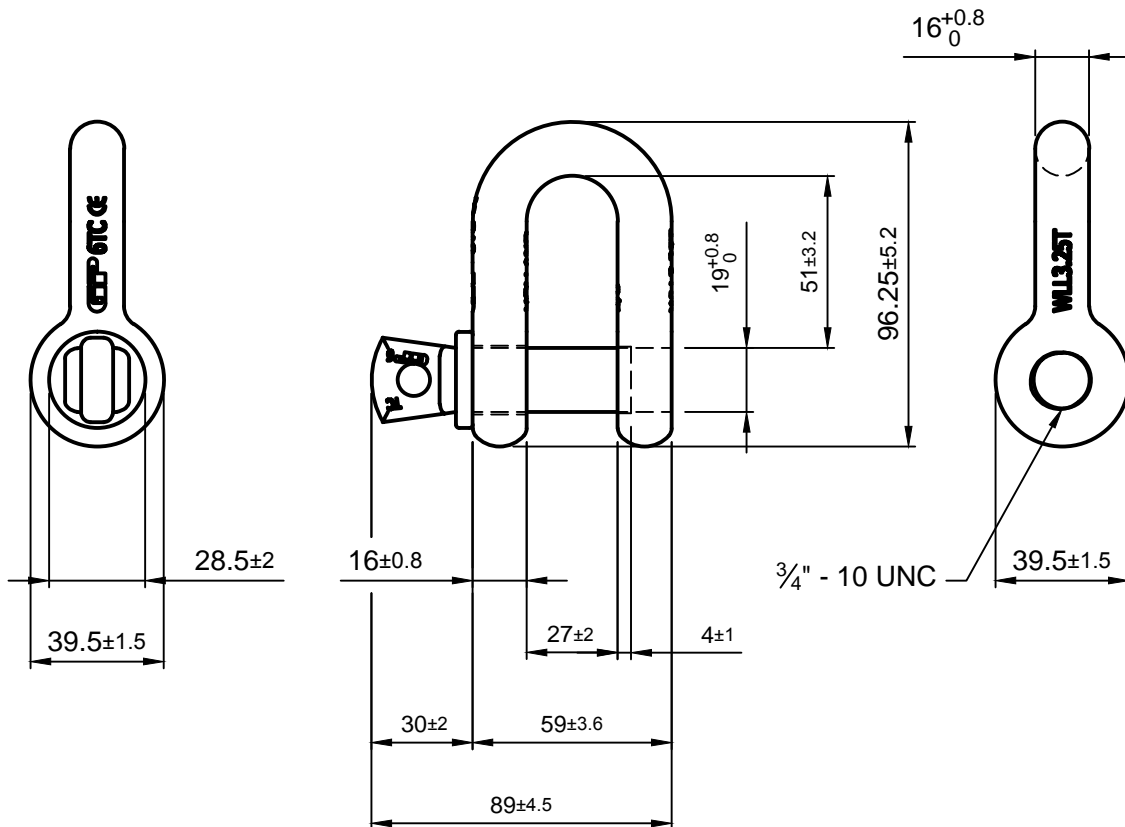
Copyright by Van Beest B.V. moreover this document is the property of Van Beest B.V. This document or any part of it may neither be made known, copied or multiplied, nor used for any purpose other than that for which it is specifically furnished, without the prior written consent of Van Beest B.V.

Title **Green Pin® Standard Shackles**
dee shackles with screw collar pin

Remark
G-4151
GPGDBB10

Format	A4	
Scale	1:1	
Drawing number	5078	Rev.
		0

Green Pin® Standard Shackles
 Group : G-4151
 Part : GPGDBB16
 WLL : 3.25 t



We reserve the right to make amendments on specifications in this drawing without prior notification.



P.O. Box 57, 3360 AB Sliedrecht
 (The Netherlands)
 Industrieweg 6, 3361 HJ Sliedrecht
 Tel. 0184-413300 Fax. 0184-413101

Rev.	Description	Date	Drawn
A	Chamber in eye	13-10-11	H.T.
0	First Issue	31-07-09	H.T.

Copyright by Van Beest B.V. moreover this document is the property of Van Beest B.V. This document or any part of it may neither be made known, copied or multiplied, nor used for any purpose other than that for which it is specifically furnished, without the prior written consent of Van Beest B.V.

Title	Green Pin® Standard Shackles dee shackles with screw collar pin	Remark	G-4151 GPGDBB16
-------	--	--------	--------------------

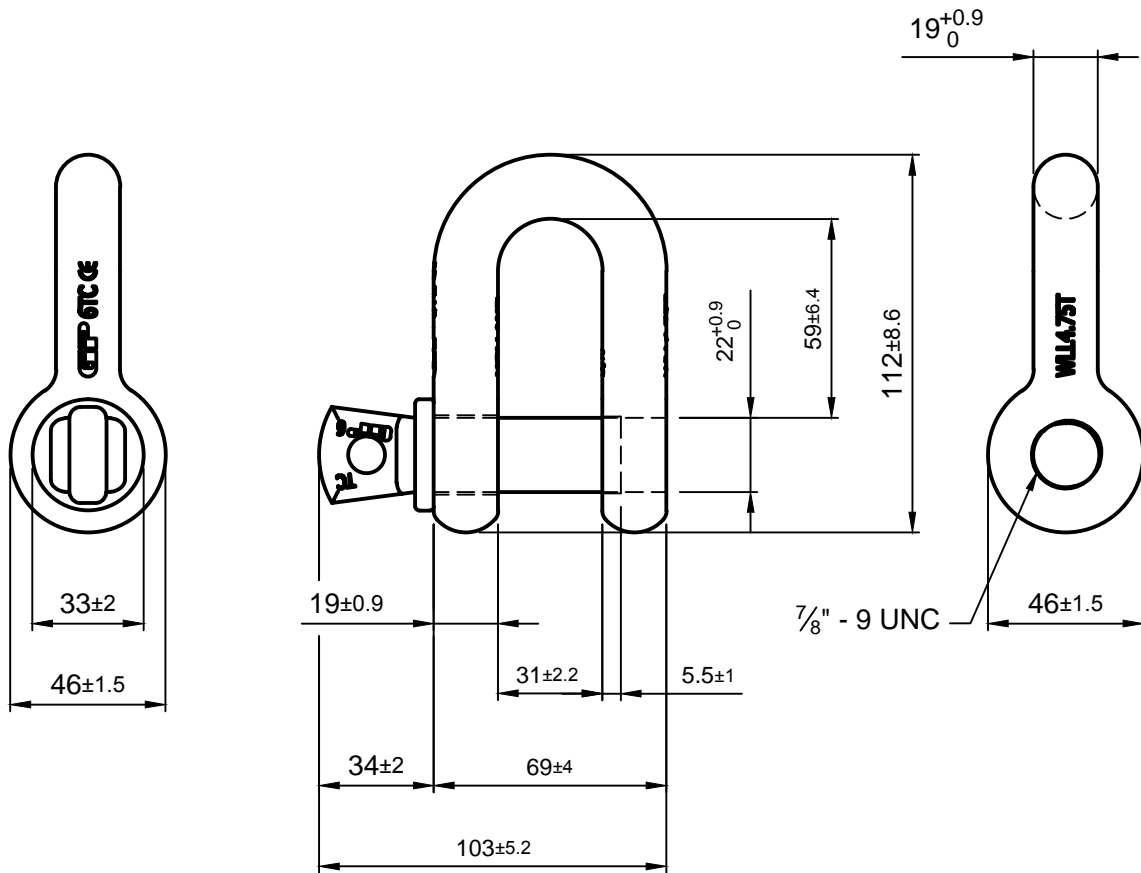
Format	A4		
Scale	1:2		
Drawing number	5081	Rev.	A

Green Pin® Standard Shackles

Group : G-4151

Part : GPGDBB19

WLL : 4.75 t



We reserve the right to make amendments on specifications in this drawing without prior notification.



P.O. Box 57, 3360 AB Sliedrecht
(The Netherlands)
Industrieweg 6, 3361 HJ Sliedrecht
Tel. 0184-413300 Fax. 0184-413101

Rev.	Description	Date	Drawn
A	Chamber in eye	13-10-11	H.T.
0	First Issue	31-07-09	H.T.

Copyright by Van Beest B.V. moreover this document is the property of Van Beest B.V. This document or any part of it may neither be made known, copied or multiplied, nor used for any purpose other than that for which it is specifically furnished, without the prior written consent of Van Beest B.V.

Title	Green Pin® Standard Shackles dee shackles with screw collar pin	Remark	G-4151 GPGDBB19
-------	--	--------	--------------------

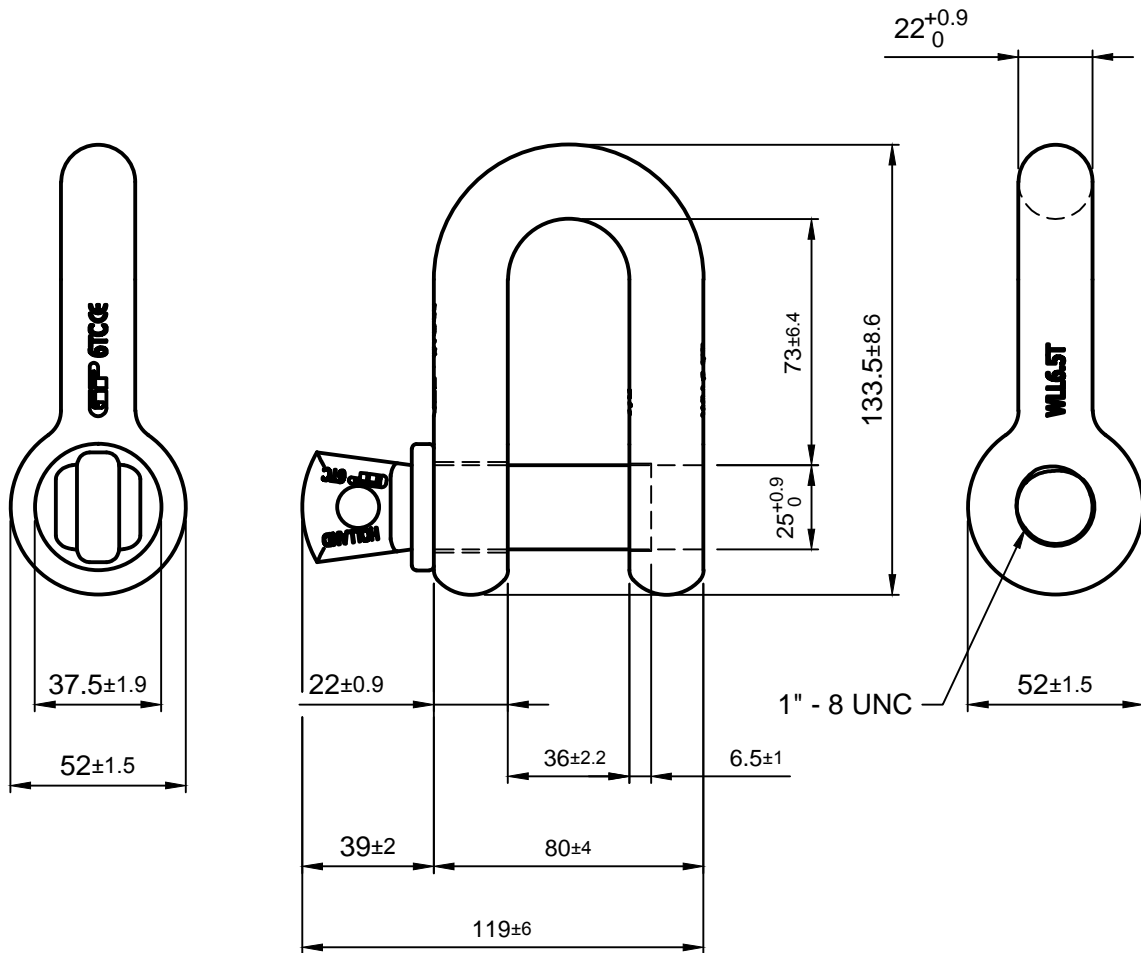
Format	A4		
Scale	1:2		
Drawing number	5082	Rev.	A

Green Pin® Standard Shackles

Group : G-4151

Part : GPGDBB22

WLL : 6.5 t



We reserve the right to make amendments on specifications in this drawing without prior notification.

Rev.	Description	Date	Drawn
A	Chamber in eye	13-10-11	H.T.
0	First Issue	31-07-09	H.T.



P.O. Box 57, 3360 AB Sliedrecht
(The Netherlands)
Industrieweg 6, 3361 HJ Sliedrecht
Tel. 0184-413300 Fax. 0184-413101

Copyright by Van Beest B.V. moreover this document is the property of Van Beest B.V. This document or any part of it may neither be made known, copied or multiplied, nor used for any purpose other than that for which it is specifically furnished, without the prior written consent of Van Beest B.V.

Title	Green Pin® Standard Shackles dee shackles with screw collar pin	Remark	G-4151 GPGDBB22
-------	--	--------	--------------------

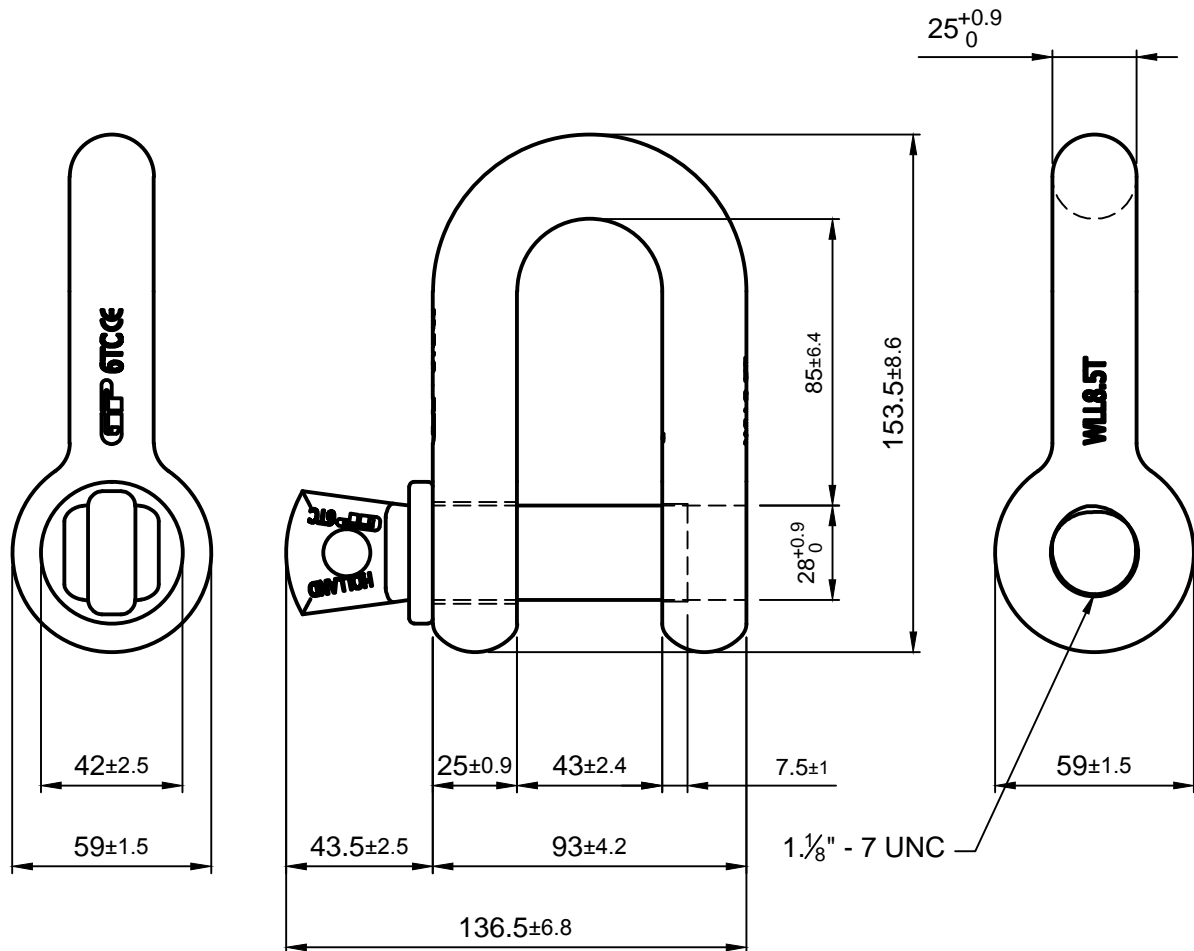
Format	A4		Rev. A
Scale	1:2		
Drawing number	5083		

Green Pin® Standard Shackles

Group : G-4151

Part : GPGDBB25

WLL : 8.5 t



We reserve the right to make amendments on specifications in this drawing without prior notification.



P.O. Box 57, 3360 AB Sliedrecht
(The Netherlands)
Industrieweg 6, 3361 HJ Sliedrecht
Tel. 0184-413300 Fax. 0184-413101

Rev.	Description	Date	Drawn
A	Chamber in eye	13-10-11	H.T.
0	First Issue	31-07-09	H.T.

Copyright by Van Beest B.V. moreover this document is the property of Van Beest B.V. This document or any part of it may neither be made known, copied or multiplied, nor used for any purpose other than that for which it is specifically furnished, without the prior written consent of Van Beest B.V.

Title	Green Pin® Standard Shackles dee shackles with screw collar pin	Remark	G-4151 GPGDBB25
-------	--	--------	--------------------

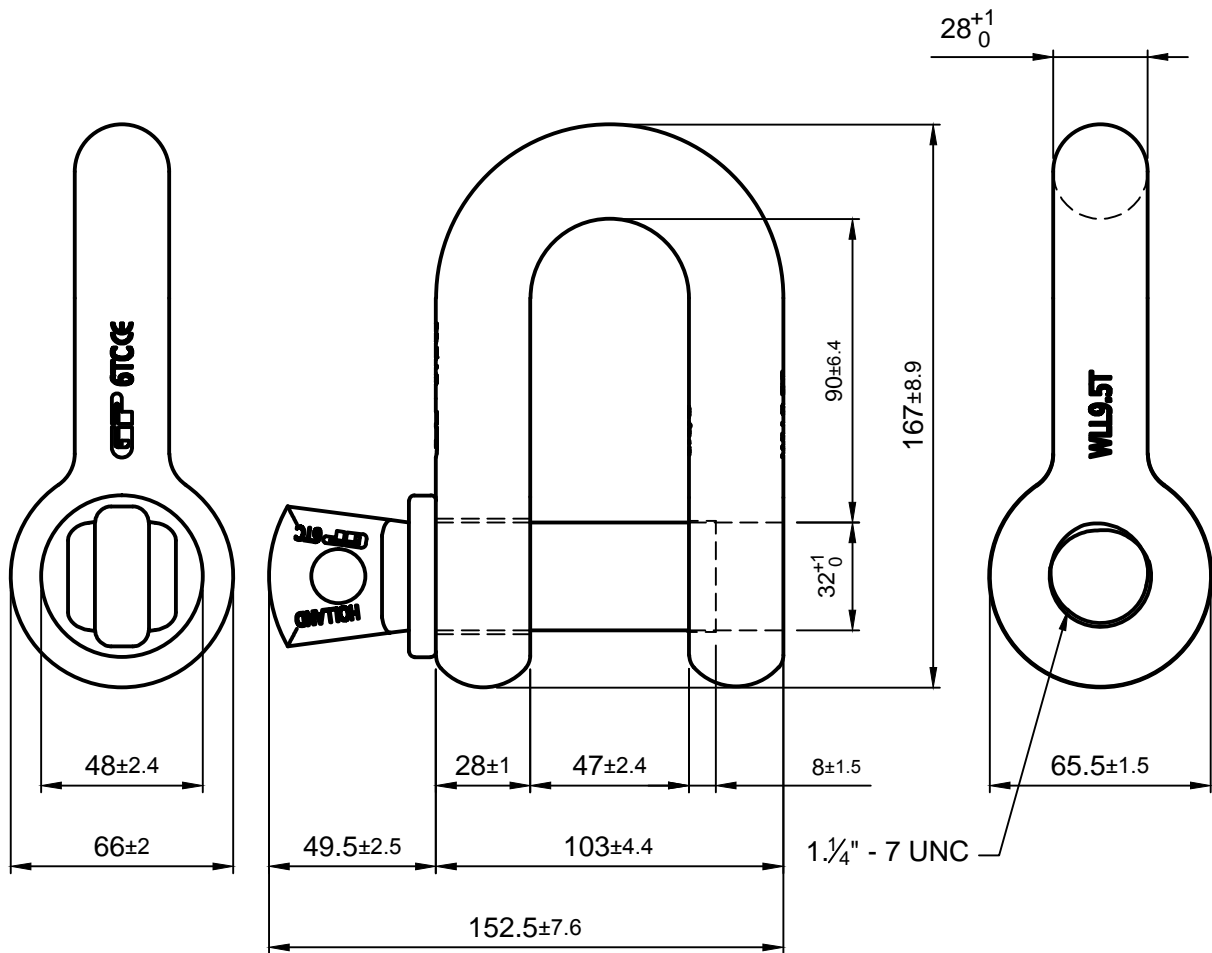
Format	A4		Rev. A
Scale	1:2		
Drawing number	5084		

Green Pin® Standard Shackles

Group : G-4151

Part : GPGDBB28

WLL : 9.5 t



We reserve the right to make amendments on specifications in this drawing without prior notification.



P.O. Box 57, 3360 AB Sliedrecht
(The Netherlands)
Industrieweg 6, 3361 HJ Sliedrecht
Tel. 0184-413300 Fax. 0184-413101

Rev.	Description	Date	Drawn
A	Chamber in eye	13-10-11	H.T.
0	First Issue	31-07-09	H.T.

Copyright by Van Beest B.V. moreover this document is the property of Van Beest B.V. This document or any part of it may neither be made known, copied or multiplied, nor used for any purpose other than that for which it is specifically furnished, without the prior written consent of Van Beest B.V.

Title	Green Pin® Standard Shackles dee shackles with screw collar pin	Remark	G-4151 GPGDBB28
-------	--	--------	--------------------

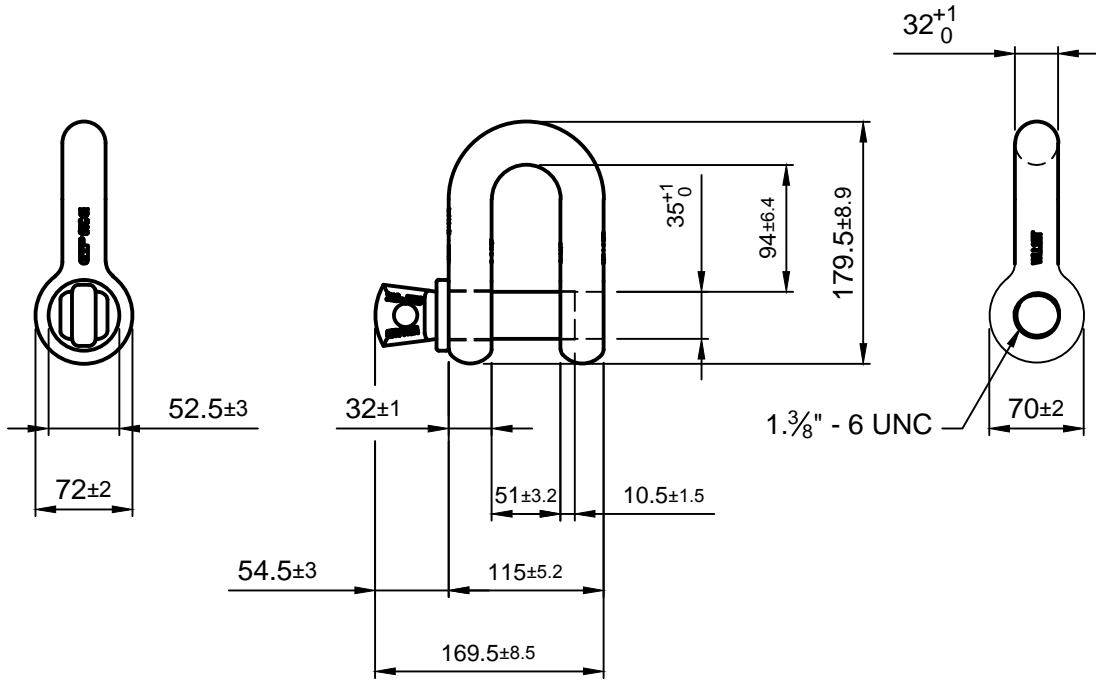
Format	A4		
Scale	1:2		
Drawing number	5085	Rev.	A

Green Pin® Standard Shackles

Group : G-4151

Part : GPGDBB32

WLL : 12 t



We reserve the right to make amendments on specifications in this drawing without prior notification.



P.O. Box 57, 3360 AB Sliedrecht
(The Netherlands)
Industrieweg 6, 3361 HJ Sliedrecht
Tel. 0184-413300 Fax. 0184-413101

Rev.	Description	Date	Drawn
A	Chamber in eye	13-10-11	H.T.
0	First Issue	31-07-09	H.T.

Copyright by Van Beest B.V. moreover this document is the property of Van Beest B.V. This document or any part of it may neither be made known, copied or multiplied, nor used for any purpose other than that for which it is specifically furnished, without the prior written consent of Van Beest B.V.

Title	Green Pin® Standard Shackles dee shackles with screw collar pin	Remark	G-4151 GPGDBB32
-------	--	--------	--------------------

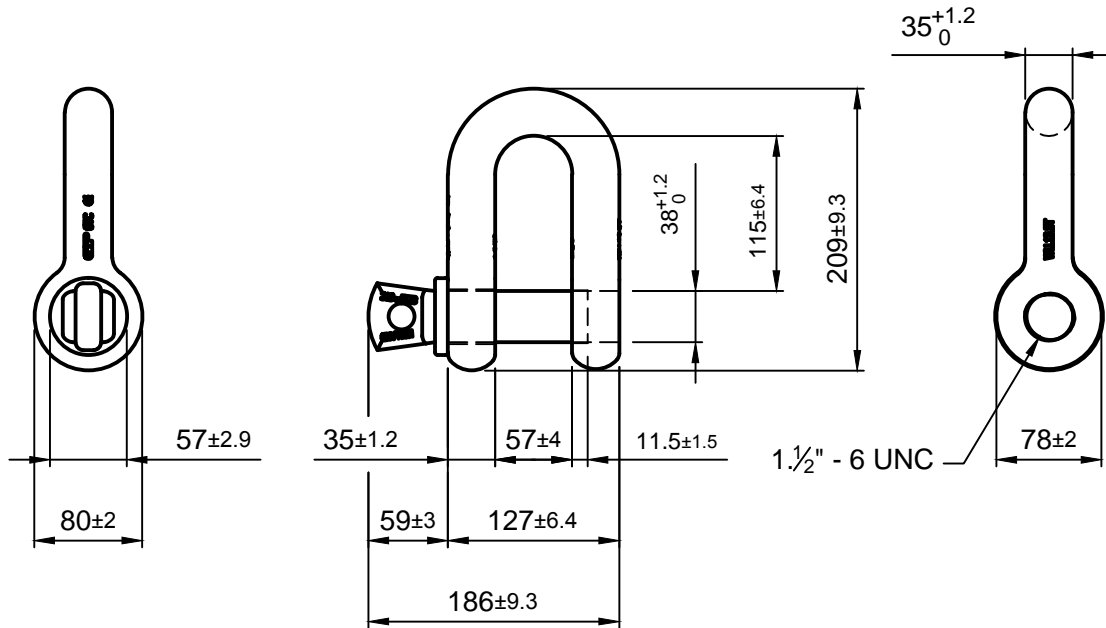
Format	A4		
Scale	1:5		
Drawing number	5086	Rev.	A

Green Pin® Standard Shackles

Group : G-4151

Part : GPGDBB35

WLL : 13.5 t



We reserve the right to make amendments on specifications in this drawing without prior notification.



P.O. Box 57, 3360 AB Sliedrecht
(The Netherlands)
Industrieweg 6, 3361 HJ Sliedrecht
Tel. 0184-413300 Fax. 0184-413101

Rev.	Description	Date	Drawn
A	Chamber in eye	13-10-11	H.T.
0	First Issue	31-07-09	H.T.

Copyright by Van Beest B.V. moreover this document is the property of Van Beest B.V. This document or any part of it may neither be made known, copied or multiplied, nor used for any purpose other than that for which it is specifically furnished, without the prior written consent of Van Beest B.V.

Title	Green Pin® Standard Shackles dee shackles with screw collar pin	Remark	G-4151 GPGDBB35
-------	--	--------	--------------------

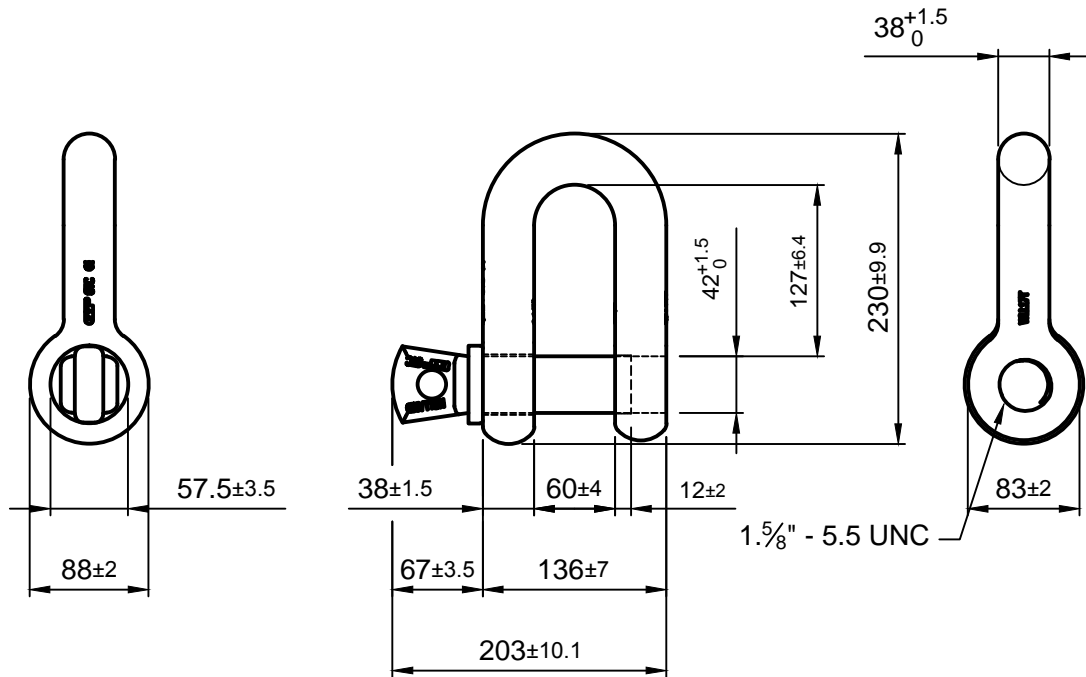
Format	A4		
Scale	1:5		
Drawing number	5087	Rev.	A

Green Pin® Standard Shackles

Group : G-4151

Part : GPGDBB38

WLL : 17 t



We reserve the right to make amendments on specifications in this drawing without prior notification.



P.O. Box 57, 3360 AB Sliedrecht
(The Netherlands)
Industrieweg 6, 3361 HJ Sliedrecht
Tel. 0184-413300 Fax. 0184-413101

Rev.	Description	Date	Drawn
A	Chamber in eye	13-10-11	H.T.
0	First Issue	31-07-09	H.T.

Copyright by Van Beest B.V. moreover this document is the property of Van Beest B.V. This document or any part of it may neither be made known, copied or multiplied, nor used for any purpose other than that for which it is specifically furnished, without the prior written consent of Van Beest B.V.

Title	Green Pin® Standard Shackles dee shackles with screw collar pin	Remark	G-4151 GPGDBB38
-------	--	--------	--------------------

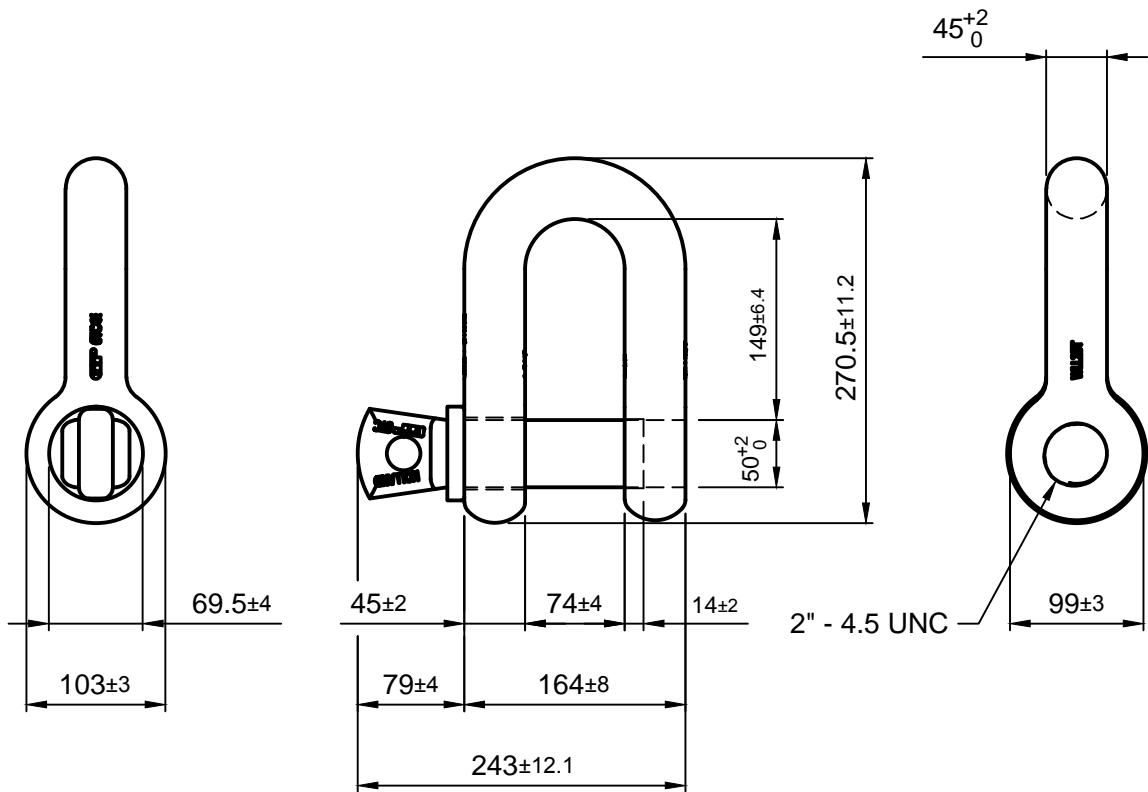
Format	A4		
Scale	1:5		
Drawing number	5088	Rev.	A

Green Pin® Standard Shackles

Group : G-4151

Part : GPGDBB45

WLL : 25 t



We reserve the right to make amendments on specifications in this drawing without prior notification.

Rev.	Description	Date	Drawn
A	Chamber in eye	13-10-11	H.T.
0	First Issue	31-07-09	H.T.



P.O. Box 57, 3360 AB Sliedrecht
(The Netherlands)
Industrieweg 6, 3361 HJ Sliedrecht
Tel. 0184-413300 Fax. 0184-413101

Copyright by Van Beest B.V. moreover this document is the property of Van Beest B.V. This document or any part of it may neither be made known, copied or multiplied, nor used for any purpose other than that for which it is specifically furnished, without the prior written consent of Van Beest B.V.

Title **Green Pin® Standard Shackles**
dee shackles with screw collar pin

Remark
G-4151
GPGDBB45

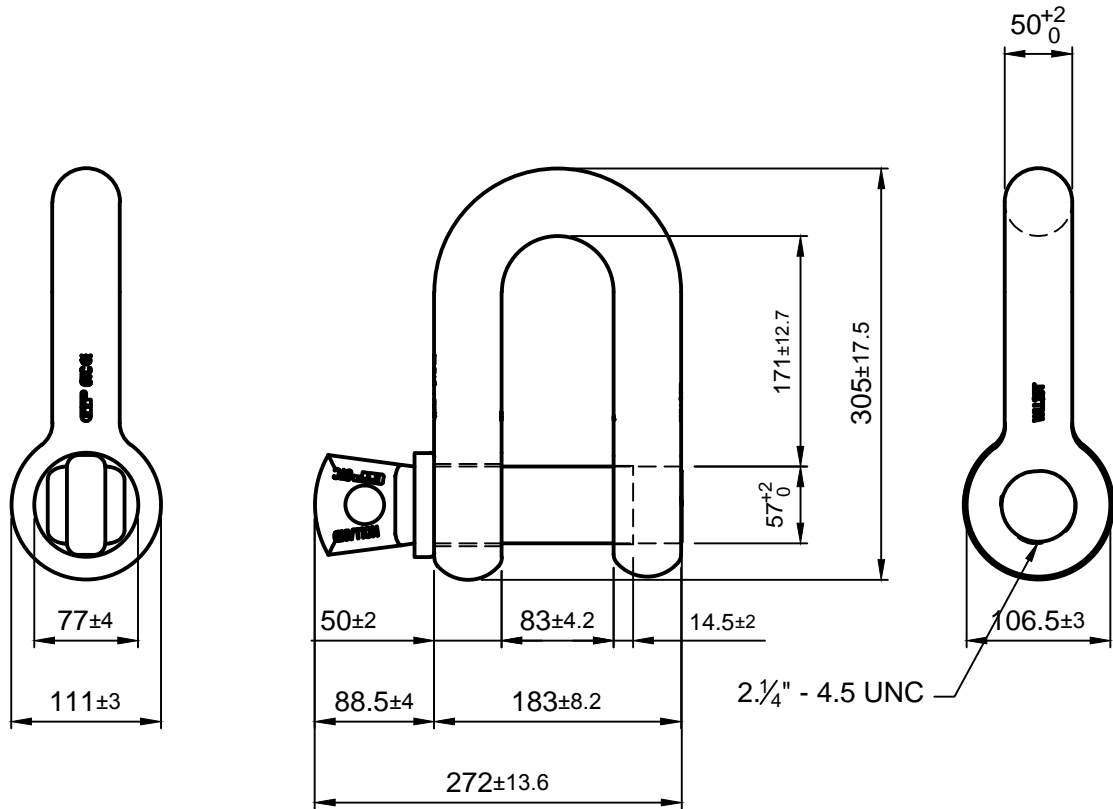
Format	A4		
Scale	1:5		
Drawing number	5089	Rev.	A

Green Pin® Standard Shackles

Group : G-4151

Part : GPGDBB50

WLL : 35 t



We reserve the right to make amendments on specifications in this drawing without prior notification.



P.O. Box 57, 3360 AB Sliedrecht
(The Netherlands)
Industrieweg 6, 3361 HJ Sliedrecht
Tel. 0184-413300 Fax. 0184-413101

Rev.	Description	Date	Drawn
A	Chamber in eye	13-10-11	H.T.
0	First Issue	31-07-09	H.T.

Copyright by Van Beest B.V. moreover this document is the property of Van Beest B.V. This document or any part of it may neither be made known, copied or multiplied, nor used for any purpose other than that for which it is specifically furnished, without the prior written consent of Van Beest B.V.

Title **Green Pin® Standard Shackles**
dee shackles with screw collar pin

Remark
G-4151
GPGDBB50

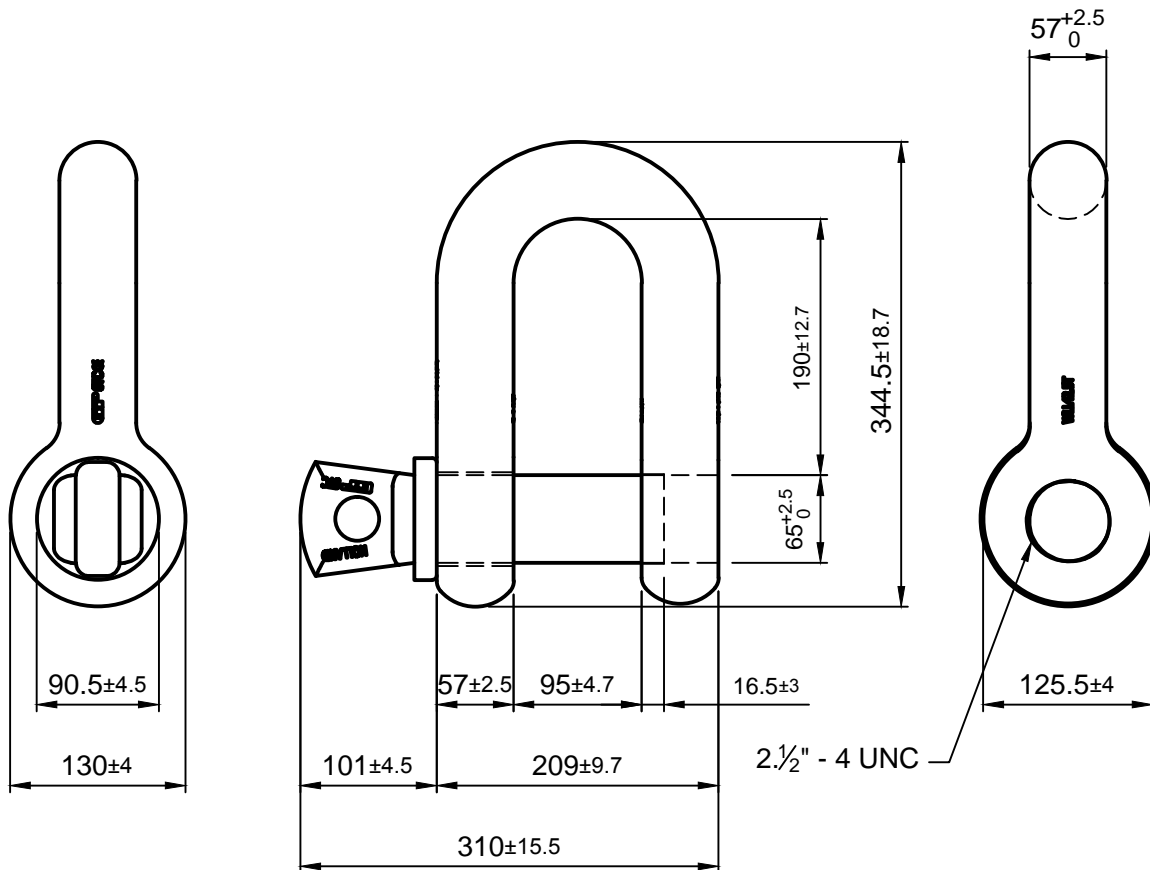
Format	A4		
Scale	1:5		
Drawing number	5090	Rev. A	

Green Pin® Standard Shackles

Group : G-4151

Part : GPGDBB57

WLL : 42.5 t



We reserve the right to make amendments on specifications in this drawing without prior notification.



P.O. Box 57, 3360 AB Sliedrecht
(The Netherlands)
Industrieweg 6, 3361 HJ Sliedrecht
Tel. 0184-413300 Fax. 0184-413101

Rev.	Description	Date	Drawn
A	Chamber in eye	13-10-11	H.T.
0	First Issue	31-07-09	H.T.

Copyright by Van Beest B.V. moreover this document is the property of Van Beest B.V. This document or any part of it may neither be made known, copied or multiplied, nor used for any purpose other than that for which it is specifically furnished, without the prior written consent of Van Beest B.V.

Title	Green Pin® Standard Shackles dee shackles with screw collar pin	Remark	G-4151 GPGDBB57
-------	--	--------	--------------------

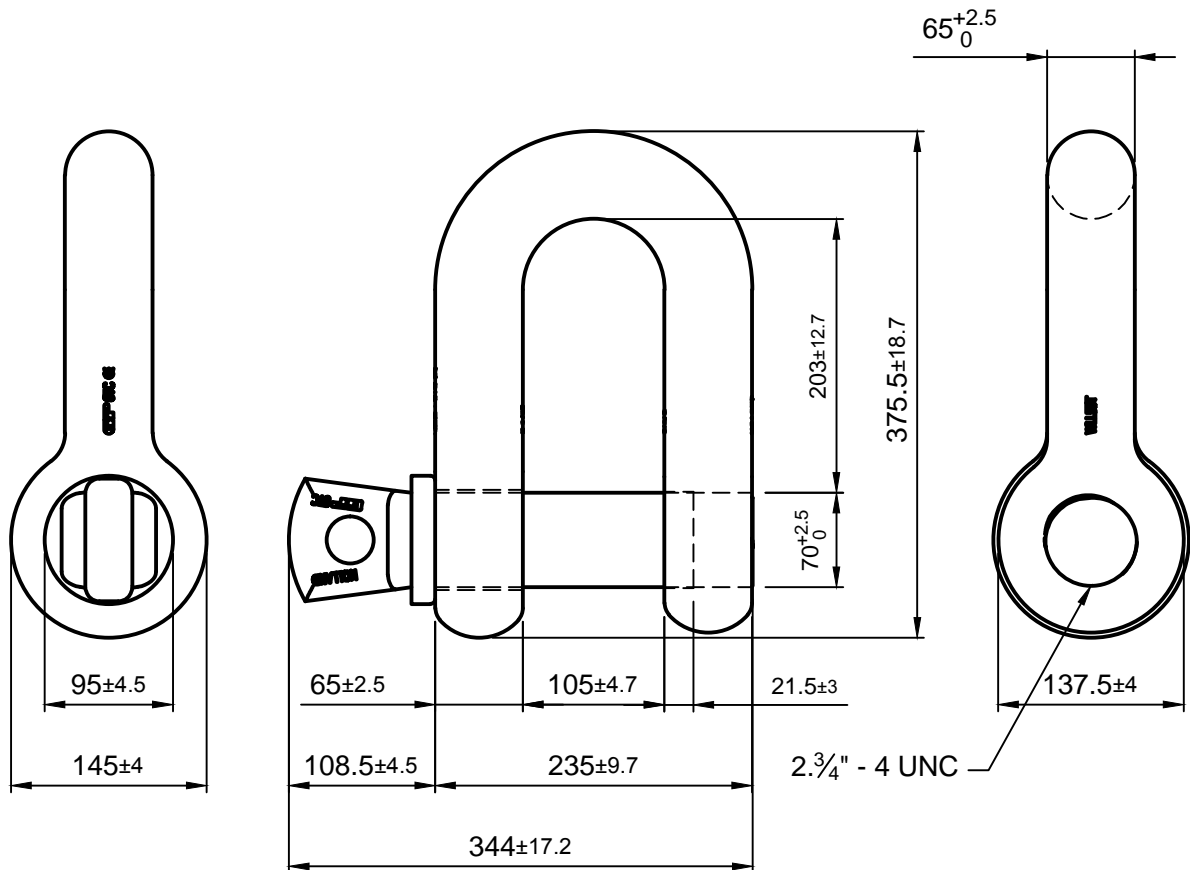
Format	A4		
Scale	1:5		
Drawing number	5091	Rev.	A

Green Pin® Standard Shackles

Group : G-4151

Part : GPGDBB65

WLL : 55 t



We reserve the right to make amendments on specifications in this drawing without prior notification.



P.O. Box 57, 3360 AB Sliedrecht
(The Netherlands)
Industrieweg 6, 3361 HJ Sliedrecht
Tel. 0184-413300 Fax. 0184-413101

Rev.	Description	Date	Drawn
A	Chamber in eye	13-10-11	H.T.
0	First Issue	31-07-09	H.T.

Copyright by Van Beest B.V. moreover this document is the property of Van Beest B.V. This document or any part of it may neither be made known, copied or multiplied, nor used for any purpose other than that for which it is specifically furnished, without the prior written consent of Van Beest B.V.

Title	Green Pin® Standard Shackles dee shackles with screw collar pin	Remark	G-4151 GPGDBB65
-------	--	--------	--------------------

Format	A4		
Scale	1:5		
Drawing number	5092	Rev.	A