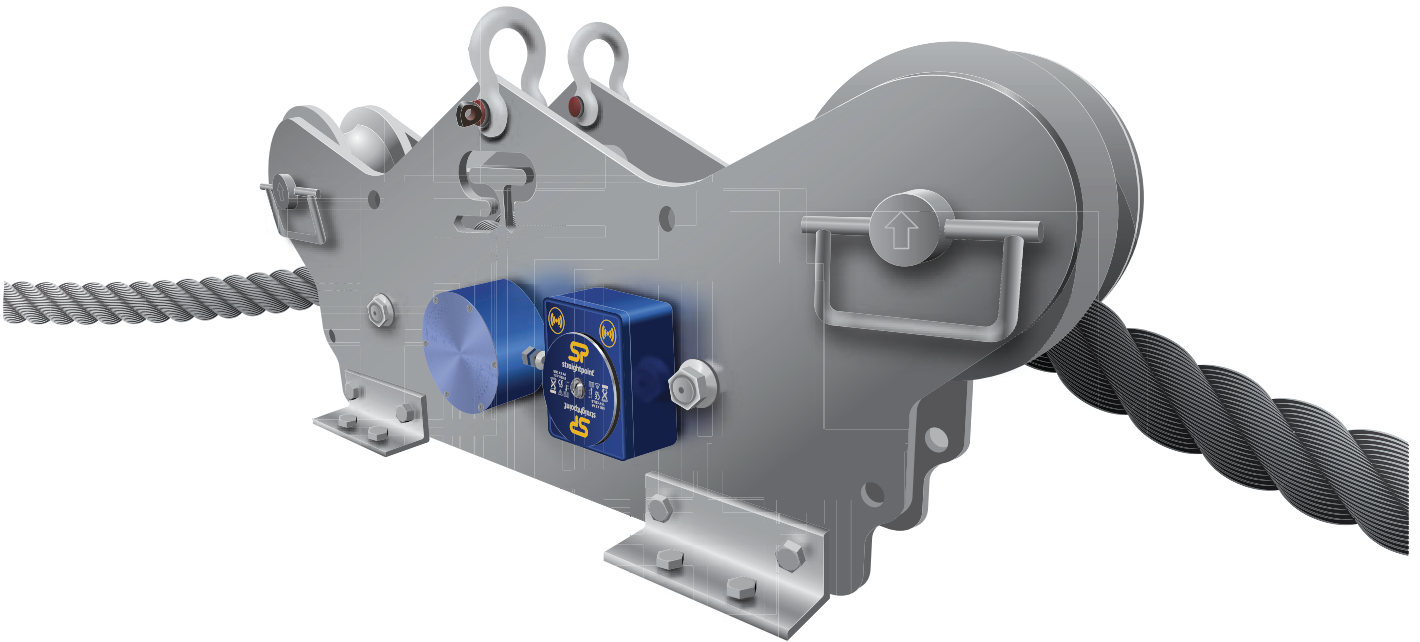


Running Line Dynamometer



The TIMH range is a Running Line Tensiometer or RLTM built with dockside, marine, offshore, towage and salvage applications in mind.

It is particularly useful where there is no anchor or dead end on the line to rig a Straightpoint Radiolink or Loadlink digital dynamometer to measure tension force at speeds up to 20m/min or 65ft/min.

The TIMH is constructed from marine grade stainless steel and is suitable for many wire rope configurations up to 80t and will, as an option, calculate lineout in metres or feet.

The TIMH has several mounting points featured in its unique design but if other mounting options are required Straightpoint can provide a custom engineered solution specific to your application.

Available as a wireless or cabled system utilising Straightpoint's HHP range of handheld displays or SW-MWLC software, this impressive Running Line Dynamometer or RLTM is available to ship from stock, to anywhere in the world within days.

Features and benefits:

- Five wheel design improving accuracy
- Cabled or wireless options
- Fully constructed from corrosion resistant stainless steel
- IP67/NEMA6 Loadpin
- Gravity catches fitted to top sheave pins make wire rope installation quick and simple
- Industry leading battery life of 1200hrs (wireless)
- Maintenance free heavy duty bearings
- Large range of capacities to 80t and wire rope diameters up to 52mm/2"
- Options for line out available
- Software available to data log and monitor or analogue outputs
- Design validated by F.E.A.



making the lifting industry a safer place

Also available with hazardous area approval



ATEX / IECEX
Ex ia II C T4 Ga

Certification numbers:

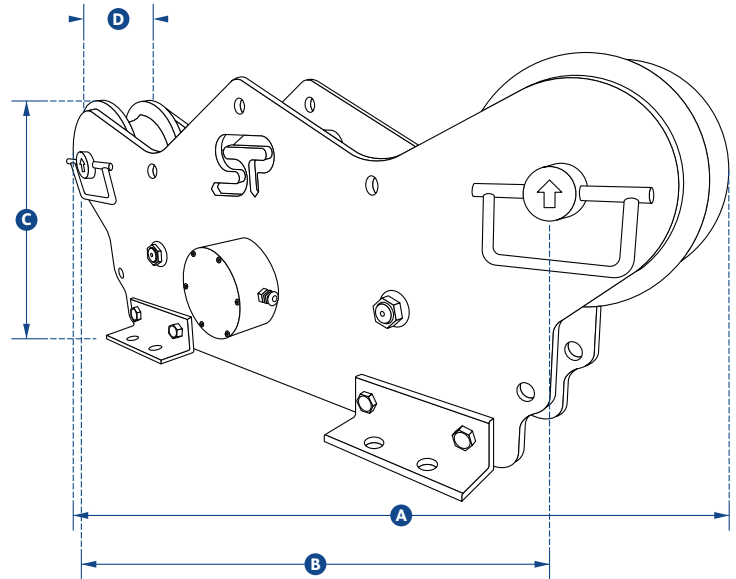
TIMH ATEX

IECEX SIR 16.0041X / Sira 16ATEX2108X

SW-HHP ATEX

IECEX SIR 15.0072X / Sira 15ATEX2196X

Add 'ATEX' to the part number when ordering ATEX/IECEX products. For example: TIMH10T-ATEX



Part Number	TIMH10T	TIMH25T	TIMH56T	TIMH80T
Capacity	10te	25te	56te	80te
	22000lb	55000lb	123200lb	176000lb
Resolution	0.01te	0.02te	0.05te	0.1te
	20lb	50lb	100lb	200lb
Wire Rope Ø	13-19mm	16-26mm	28-38mm	40-52mm
	1/2" - 3/4"	5/8" - 1"	1 1/8" - 1 1/2"	1 5/8" - 2"
Weight	76kg			
	168lb			
Battery Type	4 x AA Alkaline			
Battery Life	1200hrs continuous			
Operating Temp	-10°C to +50°C / 14°F to 122°F			
Accuracy	2% F.S.			
Frequency	2.4 GHz			
System Range	700 metres / 2300 feet			
Data Rate	3 updates per second			
Protection	IP67 / NEMA 6			
Dimension A	880mm			
	34.65"			
Dimension B	700mm			
	27.55"			
Dimension C	330mm			
	12.99"			
Dimension D	110mm			
	4.33"			