

# Low Headroom Link



## Features and benefits:

- Low height
- Range from 1t to 30t
- High accuracy
- Lightweight and portable
- Accepts standard shackles
- Constructed from high strength alloy steel
- Huge range of output options
- Connects to Straightpoint data logging software



Requires connection to Straightpoint's Handheld plus (HHP), Desktop Controller data logging software (DCP10M) or External Amplifier range (SA-3420) that can be configured to provide outputs such as 4-20mA, 0-10v, 0-5v for PLC or data logger integration.

**Straightpoint introduces its range of low headroom links designed to provide accurate measurement of loads in the most challenging applications where headroom restrictions are a major factor.**

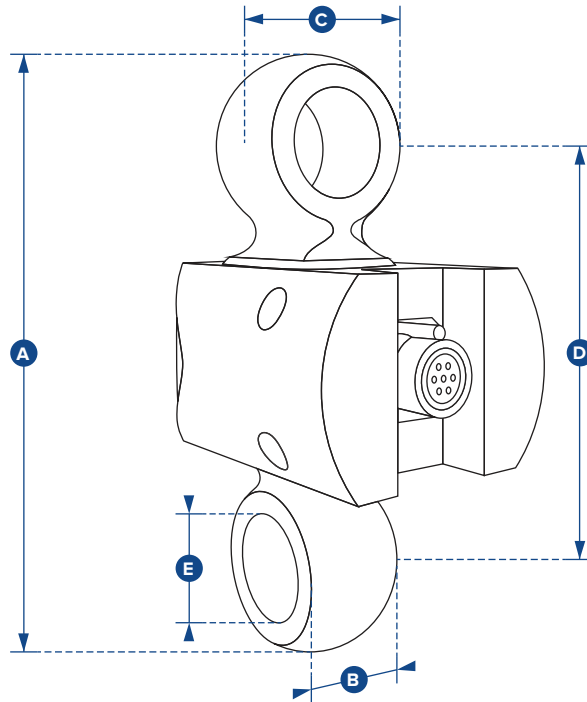
Constructed from high strength alloy steel and exposed to an array of testing during development, this impressive range of load cells is designed to work with industry standard shackles from manufacturers such as Crosby and Van Beest. Applications include weighing, lifting, force measurement and load monitoring of structures such as lighting trusses, hoist mountings and fly line tensioning.

The unique low headroom design combines the ability to lift loads with capacities up to 30t with state-of-the-art electronics, high accuracy and resolution of over 5000 divisions. Measured loads can be displayed with our Handheld plus digital display/controller or Windows PC Desktop Controller data logging software.

A vast array of optional output formats are also available to include mV/V, RS-422, RS-485, utilising the ASCII, MODBUS, TRU and CAN-BUS protocols and analog outputs such as 4-20mA for connection to PLCs, Data Acquisition systems (DAQ) or other required instrumentation. Usable cable length varies greatly, ranging from 10m/23ft to 1,500m/4900ft depending on output format.



**making the lifting industry a safer place**



Part Number	DB1T	DB3T	DB5T	DB10T	DB20T	DB30T
Capacity	1000kg	3te	5te	10te	20te	30te
	2200lb	6600lb	11000lb	22000lb	44000lb	66000lb
Resolution	0.5kg	0.001te	0.001te	0.002te	0.005te	0.005te
	1lb	2lb	2lb	4lb	10lb	10lb
Units	tonne					
	lb					
Weight	1kg	1.2kg	2kg	2.5kg	4kg	6.2kg
	2.2lb	2.6lb	4.4lb	5.5lb	8.8lb	13.7lb
Safety Factor	5:1					
Operating Temp	-10°C to +50°C / 14°F to 122°F					
Accuracy	± 0.3% of applied load					
Protection	IP65 / NEMA 4X					
Dimension A	110	129	165	205	249	248
	4.33"	5.08"	6.50"	8.07"	9.80"	9.76"
Dimension B	18	25	33	41	66	58
	0.71"	0.98"	1.30"	1.61"	2.60"	2.28"
Dimension C	33	35	50	63	90	87
	1.30"	1.38"	1.97"	2.48"	3.54"	3.43"
Dimension D	74	88	111	135	153	150
	2.91"	3.46"	4.37"	5.31"	6.02"	5.91"
Dimension ØE	18	21	27	37	53	44
	0.71"	0.83"	1.06"	1.46"	2.09"	1.73"
Crosby Shackle	G2130-2T	G2130-3.25T	G2130-6.5T	G2130-12T	G2130-25T	G2140-30T