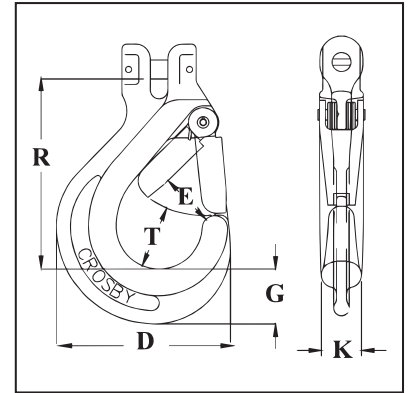


Grade 80 Latch Hooks



S-314A
Clevis Chain Hook

- Hook is Forged Alloy Steel - Quenched and Tempered.
- Individually Proof Tested at 2-1/2 times the Working Load Limit with certification
- Integrated heavy duty latch.
- Large throat opening.
- Anti-fouling due to carefully designed contours.
- Meets ASTM A-952 for Grade 80 chain fittings
- Fatigue rated.
- “Look for the color Gold – Crosby Alloy Hooks.”



Fatigue Rated

S-314A Clevis Chain Hook with Integrated Latch

Chain Size		S-314A Stock No.	Grade 8 Alloy Chain Working Load Limit (t) 4:1*	Weight Each (kg)	Dimensions (mm)						Replacement Latch Stock No.
(mm)	(in)				D	E	G	K	R	T	
6	–	1225020	1.12	.32	66.0	20.6	20.0	16.0	72.3	26.0	1291332
7 - 8	1/4 - 5/16	1225021	2	.70	89.0	27.4	28.0	20.5	98.0	32.6	1291402
10	3/8	1225091	3.15	1.29	110.5	36.1	29.3	24.0	125.3	42.2	1291472
13	1/2	1225161	5.3	2.34	138.5	38.6	42.1	29.5	144.5	49.2	1291542
16	5/8	1225162	8	3.67	166.5	48.5	52.0	38.0	172.6	58.9	1291612

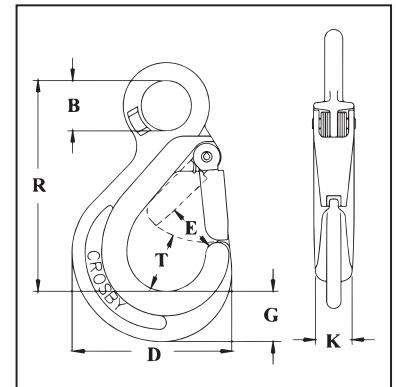
* Ultimate Load is 4 times the Working Load Limit.

Chain & Accessories



S-315A
Eye Chain Hook

- Hook is Forged Alloy Steel - Quenched and Tempered.
- Individually Proof Tested at 2-1/2 times the Working Load Limit with certification
- Crosby recommends grinding the WLL (which is 5:1 Design Factor) off the hook when using with Grade 80 chain.
- Integrated heavy duty latch.
- Large throat opening.
- Anti-fouling due to carefully designed contours.
- “Engineered Flat” for use with S-1325A Coupler Link.
- Meets ASTM A-952 for Grade 80 chain fittings
- Fatigue rated.
- “Look for the color Gold – Crosby Alloy Hooks.”



Fatigue Rated

S-315A Eye Chain Hook with Integrated Latch

Chain Size		S-315A Stock No.	Grade 80 Alloy Chain Working Load Limit (t) 4:1*	Working Load Limit for Wire Rope (t) 5:1	Weight Each (kg)	Dimensions (mm)						Replacement Latch Stock No.	
(mm)	(in)					B	D	E	G	K	R		T
6	–	1029820	1.12	1	.25	20.1	66.0	20.6	20.1	16.0	84.5	25.9	1291332
7 - 8	1/4 - 5/16	1029825	2	2	.59	27.9	89.0	27.4	27.9	20.6	117	32.5	1291402
10	3/8	1029830	3.15	3	1.18	36.1	110	36.1	29.5	23.9	157	42.2	1291472
13	1/2	1029835	5.3	5	2.13	46.0	138	38.6	42.4	29.5	186	49.3	1291542
16	5/8	1029840	8	7	3.88	56.0	167	48.5	52.0	38.1	227	59.0	1291612

* Ultimate Load is 4 times the Working Load Limit.