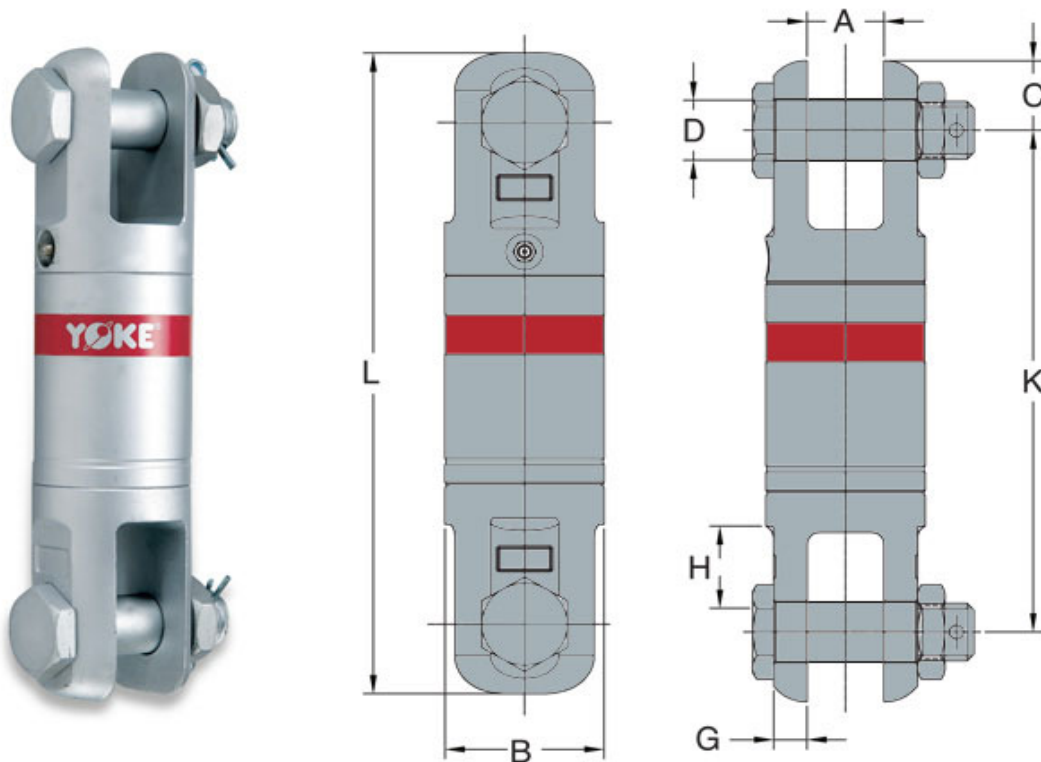


Yoke Jaw + Jaw Angular Swivel

Yoke Angular Swivels are manufactured using the highest grade of material available. They are zinc plated for corrosion resistance and longer life. Angular Swivels are designed for low starting torque and high rotation speed, they are manufactured with grease fittings for superior performance. All Angular Swivels are 100% magnaflux crack detected. Designed with a safety factor 5:1



Part Code	Wire Line Size mm	Working Load Limit tonnes	Dimensions mm								Mass Kg
			B	K	L	C	A	D	G	H	
8-303-0075	6	0.75	32	103	128	13	15	10	6	22	0.4
8-303-015	10	1.5	40	112	152	20	18	13	8	26	0.9
8-303-03	13	3.0	51	158	208	25	23	19	10	32	2.2
8-303-05	16	5.0	64	200	261	31	32	22	14	37	4.4
8-303-085	19	8.5	76	252	320	34	40	30	14	54	7.7
8-303-10	22	10.0	102	316	412	48	42	38	25	54	18.0
8-303-15	25	15.0	108	316	420	52	48	38	25	57	20.0
8-303-25	32	25.0	132	374	503	65	62	51	30	70	35.5