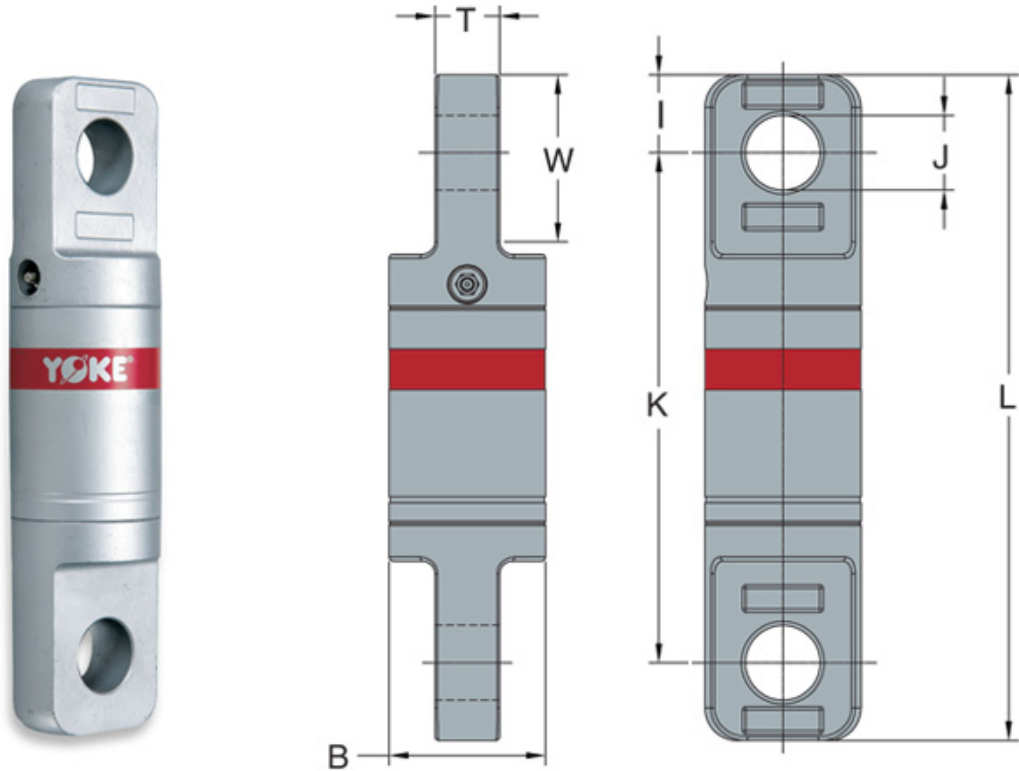


Yoke Eye + Eye Angular Swivel

Yoke Angular Swivels are manufactured using the highest grade of material available. They are zinc plated for corrosion resistance and longer life. Angular Swivels are designed for low starting torque and high rotation speed, they are manufactured with grease fittings for superior performance. All Angular Swivels are 100% magnaflux crack detected. Designed with a safety factor 5:1



Part Code	Wire Line Size mm	Working Load Limit tonnes	Dimensions mm							Mass Kg
			B	K	L	I	T	J	W	
8-306-0075	6	0.75	32	103	139	18	12	19	37	0.4
8-306-015	10	1.5	40	117	160	22	15	23	43	0.8
8-306-03	13	3.0	51	158	214	28	20	27	51	2.0
8-306-05	16	5.0	64	210	276	33	26	33	59	3.9
8-306-085	19	8.5	76	249	325	38	32	37	82	7.4
8-306-10	22	10.0	102	310	413	52	42	44	90	16.8
8-306-15	25	15.0	108	316	443	64	49	54	110	17.7
8-306-25	32	25.0	132	407	547	70	60	66	130	32.7