

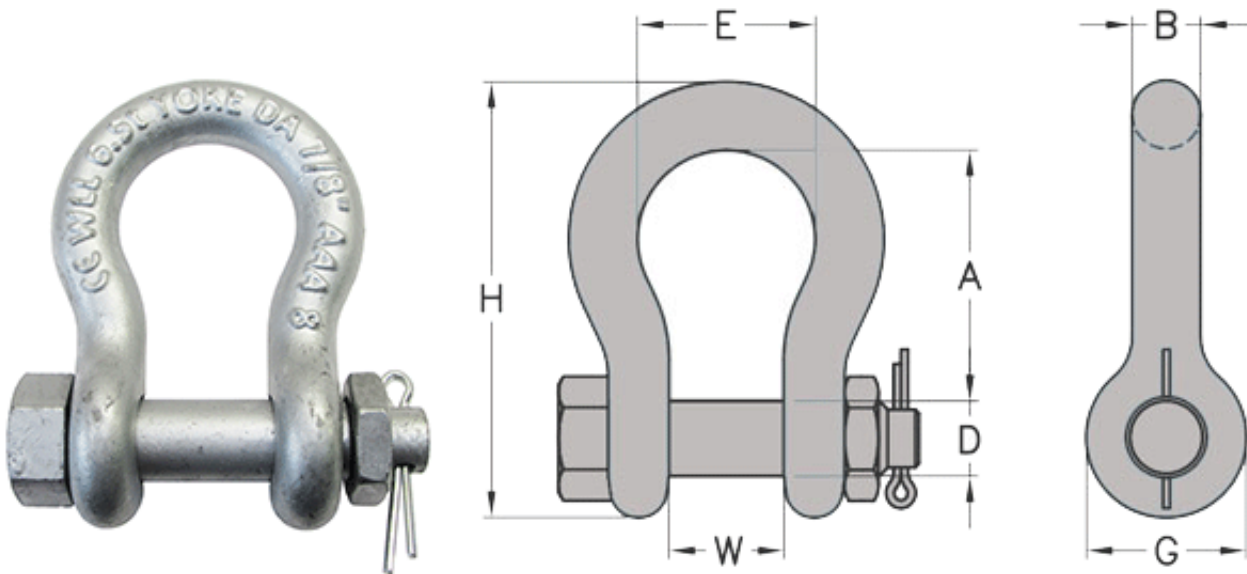
Yoke DA 808 Grade 8 Shackle

Yoke DA 838 Grade 6 Shackles are fully compliant with DNV 2.7-1, EN 13889, U.S. Fed. Spec. RR-C-271F Type IVA, Grade A, Class 3 and ASME B30.26.

The shackles are hot dip galvanized and 20,000 cycle fatigue rated to 1.5 times the Working Load Limit (WLL).

They have passed the Charpy test of 42 joules (31ft. lbs.) at -20 C

All shackles are safety pin type.



Part Code	Size	WLL tonnes*	A mm	B mm	D mm	E mm	G mm	H mm	W mm	Mass Kg
DA-808-16	16	3.25	61	16	19	43	38	106	27	0.7
DA-808-19	19	4.75	72	19	22	50	46	126	33	1.0
DA-808-22	22	6.50	86	22	26	58	53	148	38	1.7
DA-808-26	26	8.50	96	26	28	68	61	166	44	2.4
DA-808-28	28	9.50	111	28	32	76	68	190	46	3.4
DA-808-32	32	12.00	121	32	36	84	76	210	54	4.8
DA-808-36	36	13.50	134	36	38	92	84	232	59	6.5
DA-808-38	38	17.00	146	38	45	99	92	254	60	8.8
DA-808-45	45	25.00	178	47	51	127	106	313	73	17.5
DA-808-50	50	35.00	197	53	57	146	122	347	83	24.2

*Minimum Ultimate Load is 8 times the Working Load Limit