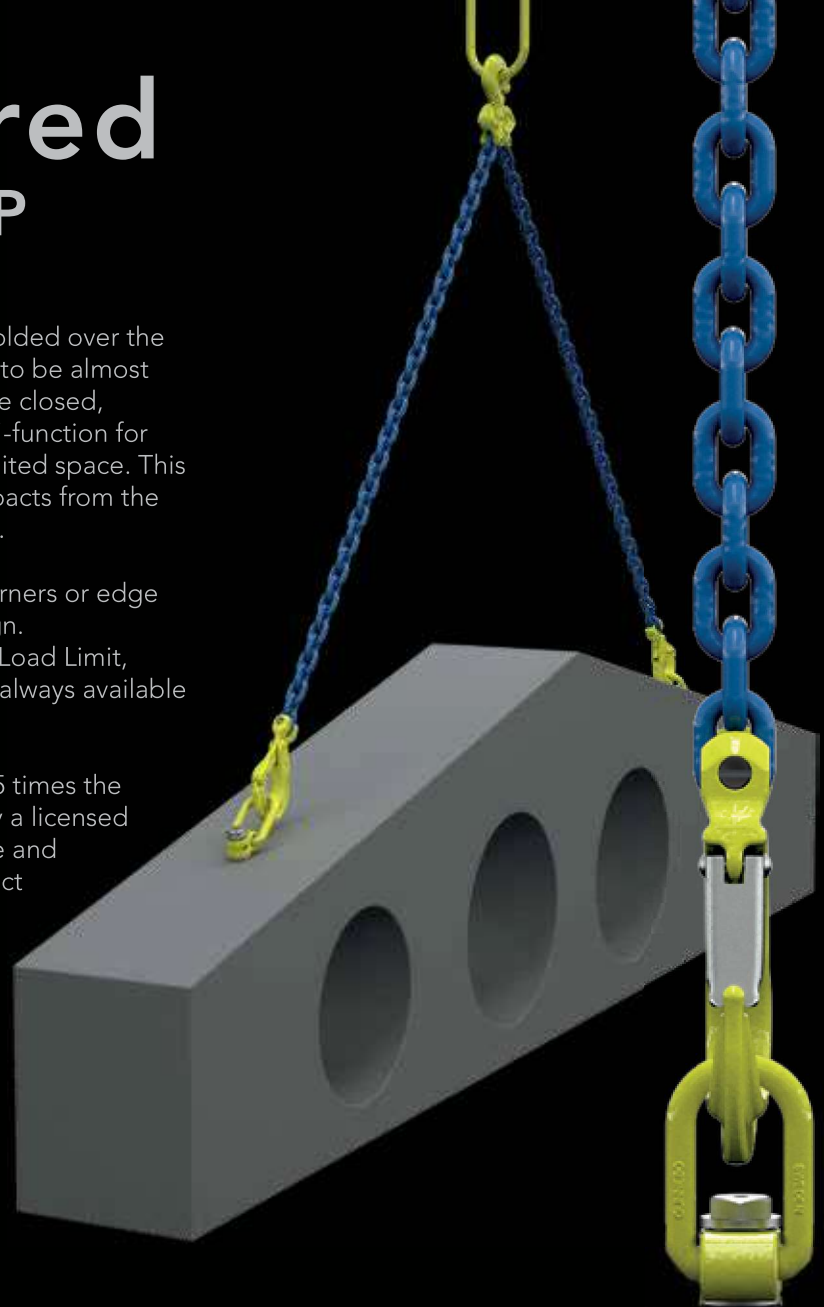


# De-centered Lifting Point - DLP

The design of the DLP allows the link to be folded over the housing when idle, allowing the Lifting Point to be almost completely stowed away when not in use. The closed, oblong link is also equipped with a "stay-up"-function for easy on-hooking, especially when there is limited space. This saves both the load from damage due to impacts from the hook, as well as making rigging fast and easy.

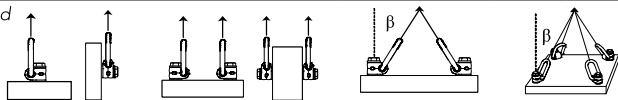
The DLP is ideal in narrow spaces, such as corners or edge position, as the housing has a compact design. The bolt is also clearly marked with Working Load Limit, mounting torque and manufacturer ID so it's always available to the operator.

Each DLP sold have been proof loaded to 2.5 times the Working Load Limit and visually inspected by a licensed inspector. This is according to our knowledge and experience the most reliable method to detect possible deviations on the product or in the production process. We don't gamble with safety! All Gunnebo Industries Lifting Points are CE-marked.



## Working Load Limits\* DLP

Symmetric Load (tonnes)



No. of legs	1		2		2 symmetric		3 & 4 symmetric		Tightening torque	Spanner size
	Angle $\beta$	$0^\circ < \beta < 90^\circ$	$0^\circ < \beta < 90^\circ$	0-45°	45-60°	0-45°	45-60°			
DLP -M8 x 1.25		0.35	0.70	0.5	0.35	0.7	0.5	10 Nm	13 mm	
DLP -5/16"-18 UNC		0.35	0.70	0.5	0.35	0.7	0.5	7 Ft.Lbs	1/2"	
DLP -M10 x 1.5		0.65	1.30	0.9	0.65	1.4	1.0	15 Nm	13 mm	
DLP 3/8"-16 UNC		0.60	1.20	0.8	0.60	1.3	1.0	11 Ft.Lbs	1/2"	
DLP -M12 x 1.75		1.0	2.0	1.4	1.0	2.1	1.5	27 Nm	24 mm	
DLP 1/2"-13 UNC		1.0	2.0	1.4	1.0	2.1	1.5	20 Ft.Lbs	15/16"	
DLP -M16 x 2		1.8	3.6	2.5	1.8	3.7	2.7	60 Nm	24 mm	
DLP 5/8"-11 UNC		1.6	3.2	2.2	1.6	3.3	2.4	44 Ft.Lbs	15/16"	
DLP -M20 x 2.5		2.6	5.2	3.5	2.6	5.4	3.9	90 Nm	32 mm	
DLP -3/4"-10 UNC		2.2	4.4	3.0	2.2	4.6	3.3	66 Ft.Lbs	1 5/16"	
DLP -7/8"-9 UNC		2.6	5.2	3.5	2.6	5.4	3.9	66 Ft.Lbs	1 5/16"	
DLP -M24 x 3		4.1	8.2	5.7	4.1	8.6	6.1	135 Nm	32 mm	
DLP -1"-8 UNC		4.1	8.2	5.7	4.1	8.6	6.1	100 Ft.Lbs	1 5/16"	
DLP -M30 x 3.5		5.0	10.0	7.0	5.0	10.5	7.5	270 Nm	55 mm	
DLP -1 1/4"-7 UNC		5.0	10.0	7.0	5.0	10.5	7.5	200 Ft.Lbs	2 1/4"	
DLP -M36 x 4		7.0	14.0	9.8	7.0	14.7	10.5	320 Nm	55 mm	
DLP -1 1/2"-6 UNC		7.0	14.0	9.8	7.0	14.7	10.5	236 Ft.Lbs	2 1/4"	
DLP -M42 x 4.5		15.0	30.0	21.0	15.0	31.5	22.5	600 Nm	75 mm	
DLP -1 3/4"-5 UNC		15.0	30.0	21.0	15.0	31.5	22.5	440 Ft.Lbs	3"	
DLP -M48 x 5		20.0	40.0	28.0	20.0	42.0	30.0	800 Nm	75 mm	
DLP -2"-4.5 UNC		20.0	40.0	28.0	20.0	42.0	30.0	590 Ft.Lbs	3"	

\* Safety factor 4:1

# De-centered Lifting Point DLP



Art. no. standard bolt length	L	Art.no. long bolt length**	L2	Code	Dimensions in mm											Weight kg***
					B	C	D	E	F	G	L1	M	X	Y	Z	
Z102208	13	Z1022080L	97.5	DLP-M8 x 1.25	35	48	10	39	14	10	78	8	30	55	26	0.3
Z102210	13	Z1022100L	97.5	DLP-M10 x 1.5	35	48	10	39	14	10	78	10	30	55	26	0.3
Z102212	23	Z1022120L	118	DLP-M12 x 1.75	35	48	12	51	20	14	91	12	44	59	32	0.5
Z102216	23	Z1022160L	158	DLP-M16 x 2	35	48	12	51	20	14	91	16	44	59	32	0.5
Z102220	34	Z1022200L	198	DLP-M20 x 2.5	54	88	18	71	28	18	145	20	58	90	48	1.6
Z102224	34	Z1022240L	238	DLP-M24 x 3	54	88	18	71	28	18	145	24	58	90	48	1.7
Z102230	53	Z1022300L	295	DLP-M30 x 3.5	82	94	26	104	39	27	182	30	88	122	75	5.0
Z102236	53	Z1022360L	295	DLP-M36 x 4	82	94	26	104	39	27	182	36	88	122	75	5.2
Z102242	73	Z1022420L	293	DLP-M42 x 4.5	100	104	36	136	54	34	216	42	113	156	110	11.6
Z102248	73	Z1022480L	293	DLP-M48 x 5	100	103	36	136	54	34	216	48	113	156	110	11.9

\*\* Long bolt supplied with nut and washer. \*\*\* Weight is calculated with standard bolt length.

Bolt, nut and washer according to: ISO 898-1 Class 10.9

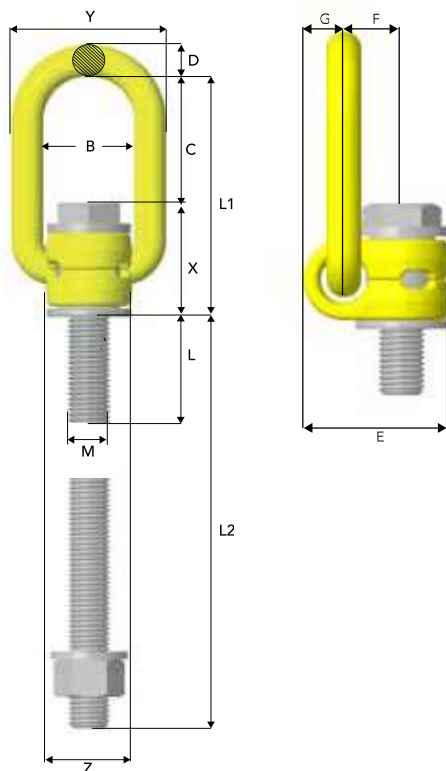
# DLP with UNC thread



Art. no. standard bolt length	L	Art.no. long bolt length**	L2	Code	Dimensions in mm											M inch	Weight kg***
					B	C	D	E	F	G	L1	X	Y	Z			
Z102308	13	Z1023080L	97.5	DLP-5/16"-18 UNC	35	48	10	39	14	10	78	30	55	26	5/16"	0.3	
Z102310	13	Z1023100L	97.5	DLP-3/8"-16 UNC	35	48	10	39	14	10	78	30	55	26	3/8"	0.3	
Z102312	23	Z1023120L	118	DLP-1/2"-13 UNC	35	48	12	51	20	14	91	44	59	32	1/2"	0.5	
Z102316	23	Z1023160L	158	DLP-5/8"-11 UNC	35	48	12	51	20	14	91	44	59	32	5/8"	0.5	
Z102320	34	Z1023200L	198	DLP-3/4"-10 UNC	54	88	18	71	28	18	145	58	90	48	3/4"	1.6	
Z102321	34	Z1023210L	198	DLP-7/8"-9 UNC	54	88	18	71	28	18	145	58	90	48	7/8"	1.6	
Z102324	34	Z1023240L	238	DLP-1"-8 UNC	54	88	18	71	28	18	145	58	90	48	1"	1.7	
Z102330	53	Z1023300L	295	DLP-1 1/4"-7 UNC	82	94	26	104	39	27	182	88	122	75	1 1/4"	5.5	
Z102336	53	Z1023360L	295	DLP-1 1/2"-6 UNC	82	94	26	104	39	27	182	88	122	75	1 1/2"	5.7	
Z102342	73	Z1023420L	293	DLP-1 3/4"-5 UNC	100	103	36	136	54	34	216	113	156	110	1 3/4"	11.7	
Z102348	73	Z1023480L	293	DLP-2"-4.5 UNC	100	103	36	136	54	34	216	113	156	110	2"	12.1	

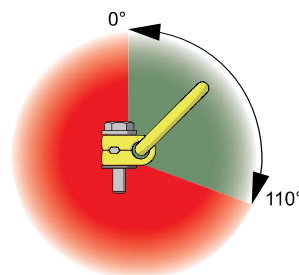
\*\* Long bolt supplied with nut and washer. \*\*\*Weight is calculated with standard bolt length.

Bolt, nut and washer according to: ISO 898-1 Class 10.9

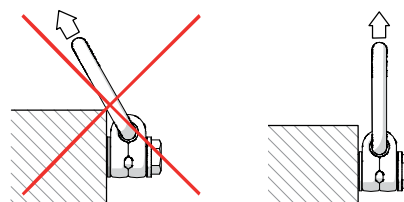


## User advice

Instructions are available on our website [gunneboindustries.com](http://gunneboindustries.com).



- The DLP can only be loaded from 0° to 110° degrees.
- Rotation around screw axis when loaded at 0-15° degrees is not allowed.



Make sure the D-ring does not lie against the load surface during lift.

Measurements in mm unless other is stated



Tight space



Limited height

Vertical lift

Angular lift



Vertical rotation under load

Tilting under load



Sensitive load surface

Single part lift

Multiple part lift



Integrated combination  
(hook or link)

RFID prepared

